

**Sample Order / Cheat Sheet**  
K Builder Series 1/2

QUOTE     ORDER

NAME: \_\_\_\_\_  
ADDRESS: \_\_\_\_\_  
OFFICE PHONE: \_\_\_\_\_  
FAX PHONE: \_\_\_\_\_  
JOB PHONE: \_\_\_\_\_

PO# \_\_\_\_\_  
DELIVERY: \_\_\_\_\_  
ADDRESS: \_\_\_\_\_

**ROCKY MOUNTAIN®**  
H A R D W A R E  
**HARDWARE WORK ORDER**  
Toll Free 888.788.2013 or 208.788.2013; Fax 208.788.2577

ORDER DATE: \_\_\_\_\_  
CONTACT: \_\_\_\_\_  
JOB NAME: \_\_\_\_\_

201012

LINE NO.	FUNCTION	HANDLE		ESCUTCHEON		METAL	PATINA	HANDING OR LENGTH	BACKSET	DOOR THICKNESS	LOCK TYPE	DEAD BOLT TRIM	DESCRIPTION	LOCATION #	QTY.	PRICE QUOTED
		EXTERIOR	INTERIOR	EXTERIOR	INTERIOR											
1	BPA	LB60	LB60	EB40	EB40	B	D	R	238	138	SL			1	1	217.00
2	BPR	LB50	LB50	EB75	EB75	B	R	L	234	134	SL			2	1	245.00
3	BDU	KB60	KB60	EB50	EB50	W	L	L						3	1	174.00
4	BDU	LB50	N	EB55	N	W	M	R						4	1	98.00

**FUNCTION**  
BPA = Builder Passage  
BPR = Builder Privacy  
BDU = Builder Dummy

**HANDLE**  
*For a list of Levers and Knobs available for Builder Series Sets, see next page.*  
*For specifications, refer to Page K1.*

**ESCUTCHEONS**  
*For a list of Escutcheons available for Builder Series Sets, see next page.*  
*For configurations, specifications, and pricing, refer to content of this section.*

**METAL**  
B = Silicon Bronze  
W = White Bronze  
  
**PATINA**  
L = Light  
M = Medium  
D = Dark  
R = Rust  
BB = Bruched

**HANDING**  
*See Hinged Door Handing diagram, next page.*  
L = Left Hand  
R = Right Hand  
LR = Left Hand Reverse  
RR = Right Hand Reverse

**BACKSET**  
238 = 2 3/8" SL  
234 = 2 3/4" SL  
N = No

**DOOR THICKNESS**  
138 = 1 3/8"  
112 = 1 1/2"  
134 = 1 3/4"  
178 = 1 7/8"  
2 = 2"  
  
*Up-charge for sizes below.*  
*Call for pricing.*  
214 = 2 1/4"  
212 = 2 1/2"  
258 = 2 5/8"  
234 = 2 3/4"  
3 = 3"  
314 = 3 1/4"  
312 = 3 1/2"  
4 = 4"  
N = No

**LOCK TYPE**  
Complete Sets  
SL = Spring Latch  
  
**DEAD BOLT TRIM**  
Not Applicable

**DESCRIPTION**  
Not Applicable  
  
**LOCATION #**  
Room Number or Door Number, etc.

**QTY**  
Number of each desired  
  
**PRICE**  
\$ List price each

**HANDLES**

**Levers**

- LB30 = Small Reed Lever
- LB50 = Small Beaver Tail Lever
- LB60 = Small Olympus Lever

**Knobs**

- KB40 = Small Squash Knob
- KB50 = Small Potato Knob
- KB60 = Small Luna Knob

**ESCUTCHEONS**

**Rectangular**

- EB50 = 2 1/2" x 3 3/4" Rect
- EB55 = 2 1/2" x 6 1/2" Rect

**Stepped**

- EB40 = 2 1/2" x 3 3/4" Stepped
- EB45 = 2 1/2" x 6 1/2" Stepped

**Arched**

- EB70 = 2 1/2" x 3 3/4" Arched
- EB75 = 2 1/2" x 6 1/2" Arched

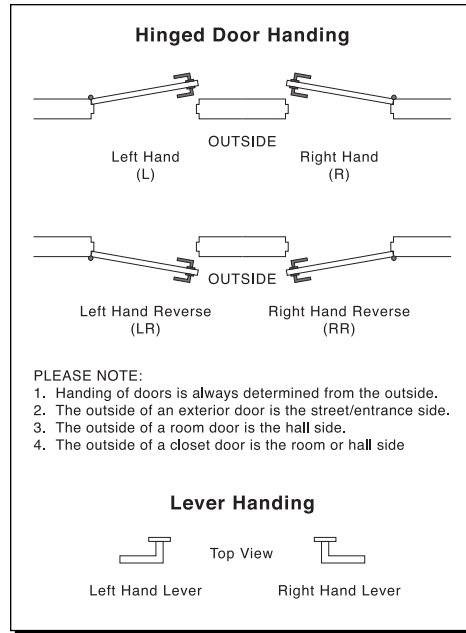
**Curved**

- EB80 = 2 1/2" x 3 3/4" Curved
- EB85 = 2 1/2" x 6 1/2" Curved

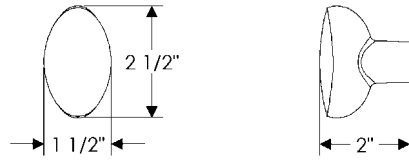
**Metro**

- EB20 = 2 1/2" x 3 3/4" Metro
- EB25 = 2 1/2" x 6 1/2" Metro

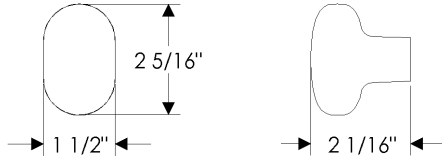
**HANDING**



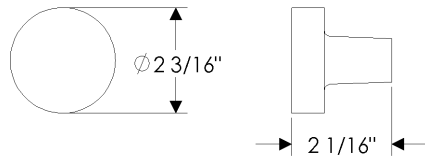
**Knobs and Levers available for Builder Series combinations**



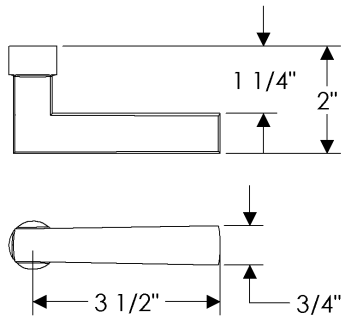
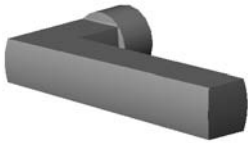
**KB40** Small Squash Knob



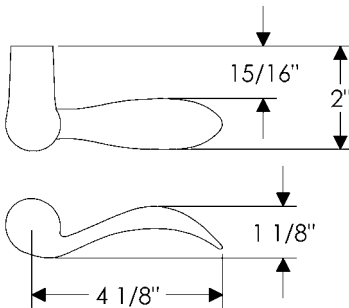
**KB50** Small Potato Knob



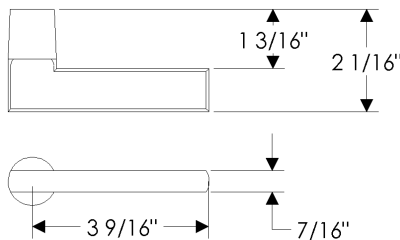
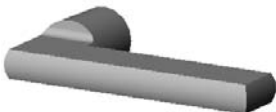
**KB60** Small Luna Knob



**LB30** Small Reed Lever



**LB50** Small Beaver Tail Lever

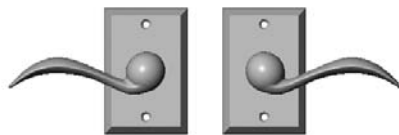


**LB60** Small Olympus Lever

- All finishes are priced the same.
- Price includes your choice of any Builder Series knob or lever (KB40, KB50, KB60, LB30, LB50, or LB60).
- Combinations are shown with LB50 Small Beaver Tail Lever for illustration purposes only. Refer to page K1 for desired handle.
- Specify metal, patina, handing, backset, door thickness, and lock type.

EXTERIOR INTERIOR

EXTERIOR INTERIOR

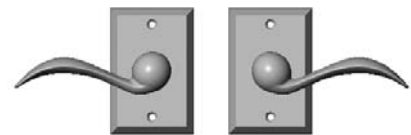
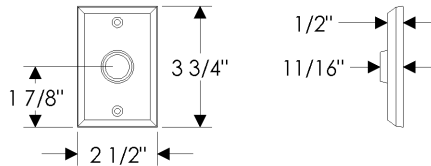


EB50 EB50

Passage Spring Latch . . . . . \$ 217.00  
 Privacy Spring Latch. . . . . \$ 224.00

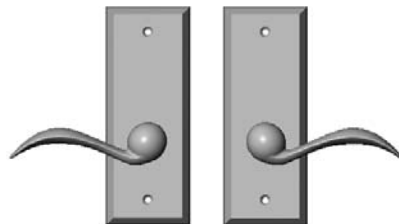
**RECTANGULAR ESCUTCHEONS**

2 1/2" x 3 3/4" Escutcheons



EB50 EB50

Single Dummy . . . . . \$ 87.00  
 Full Dummy . . . . . \$ 174.00

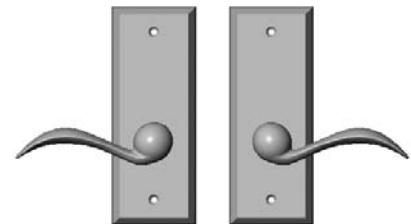
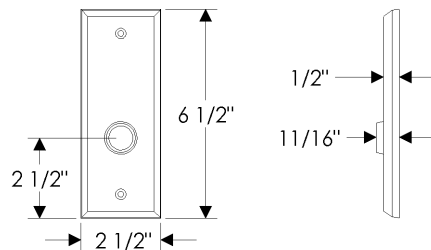


EB55 EB55

Passage Spring Latch . . . . . \$ 238.00  
 Privacy Spring Latch. . . . . \$ 245.00

**RECTANGULAR ESCUTCHEONS**

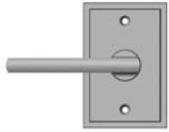
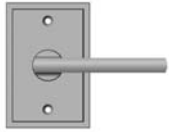
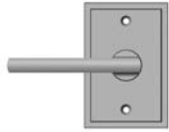
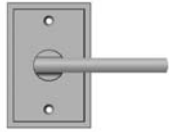
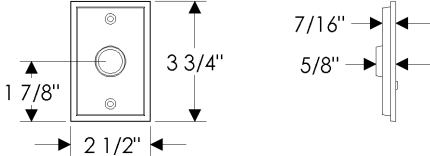
2 1/2" x 6 1/2" Escutcheons





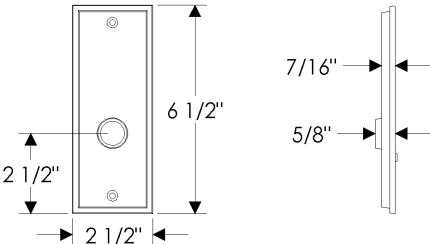


EB55 EB55

Single Dummy . . . . . \$ 98.00  
 Full Dummy . . . . . \$ 196.00

- All finishes are priced the same.
- Price includes your choice of any Builder Series knob or lever (KB40, KB50, KB60, LB30, LB50, or LB60).
- Combinations are shown with LB60 Small Olympus Lever for illustration purposes only. Refer to page K1 for desired handle.
- Specify metal, patina, handing, backset, door thickness, and lock type.

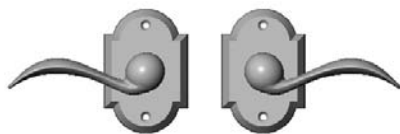
EXTERIOR	INTERIOR		EXTERIOR	INTERIOR
		<b>STEPPED ESCUTCHEONS</b> 2 1/2" x 3 3/4" Escutcheons		
EB40	EB40		EB40	EB40
Passage Spring Latch . . . . \$ 217.00 Privacy Spring Latch. . . . . \$ 224.00			Single Dummy . . . . . \$ 87.00 Full Dummy . . . . . \$ 174.00	

		<b>STEPPED ESCUTCHEONS</b> 2 1/2" x 6 1/2" Escutcheons		
EB45	EB45		EB45	EB45
Passage Spring Latch . . . . \$ 238.00 Privacy Spring Latch. . . . . \$ 245.00			Single Dummy . . . . . \$ 98.00 Full Dummy . . . . . \$ 196.00	

- All finishes are priced the same.
- Price includes your choice of any Builder Series knob or lever (KB40, KB50, KB60, LB30, LB50, or LB60).
- Combinations are shown with LB50 Small Beaver Tail Lever for illustration purposes only. Refer to page K1 for desired handle.
- Specify metal, patina, handing, backset, door thickness, and lock type.

EXTERIOR INTERIOR

EXTERIOR INTERIOR

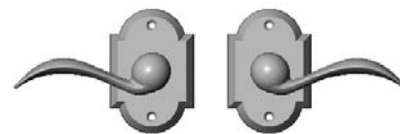
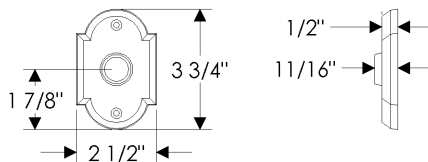


EB70 EB70

Passage Spring Latch . . . . . \$ 217.00  
 Privacy Spring Latch. . . . . \$ 224.00

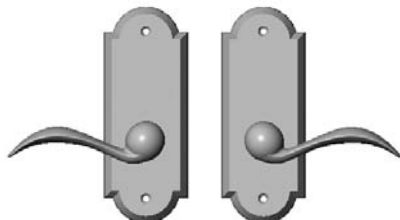
**ARCHED ESCUTCHEONS**

2 1/2" x 3 3/4" Escutcheons



EB70 EB70

Single Dummy . . . . . \$ 87.00  
 Full Dummy . . . . . \$ 174.00

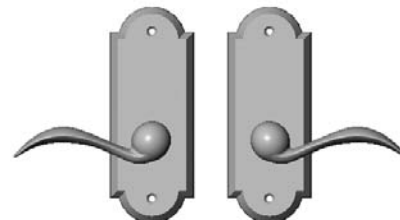
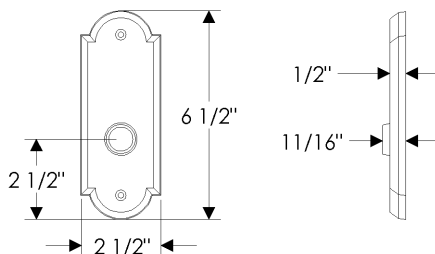


EB75 EB75

Passage Spring Latch . . . . . \$ 238.00  
 Privacy Spring Latch. . . . . \$ 245.00

**ARCHED ESCUTCHEONS**

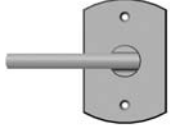
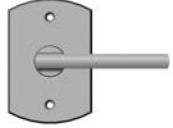
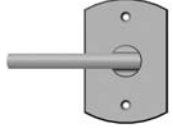
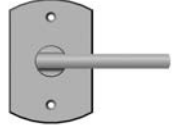
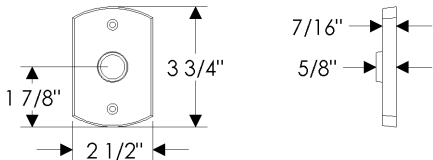
2 1/2" x 6 1/2" Escutcheons


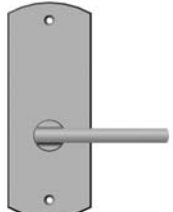
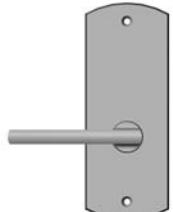
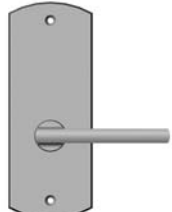
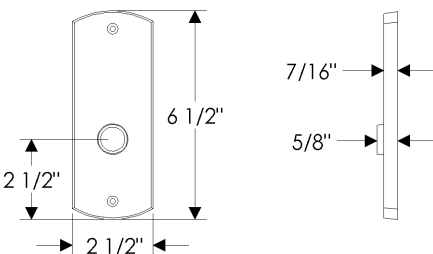


EB75 EB75

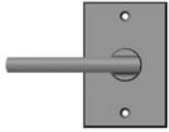
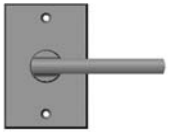
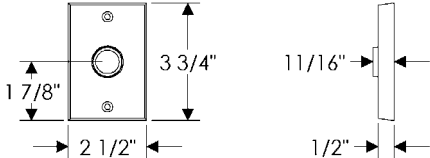
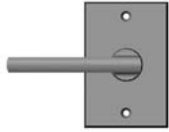
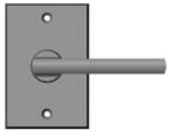
Single Dummy . . . . . \$ 98.00  
 Full Dummy . . . . . \$ 196.00

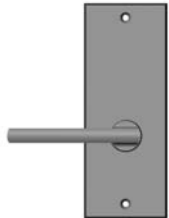
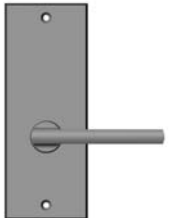
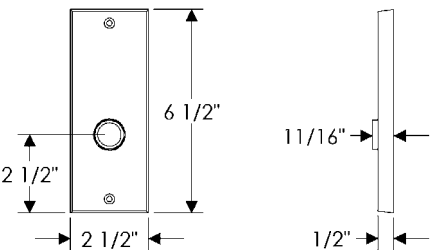
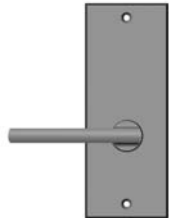
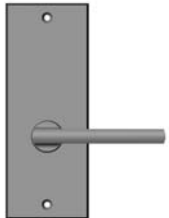
- All finishes are priced the same.
- Price includes your choice of any Builder Series knob or lever (KB40, KB50, KB60, LB30, LB50, or LB60).
- Combinations are shown with LB60 Small Olympus Lever for illustration purposes only. Refer to page K1 for desired handle.
- Specify metal, patina, handing, backset, door thickness, and lock type.

EXTERIOR	INTERIOR		EXTERIOR	INTERIOR
		<b>CURVED ESCUTCHEONS</b> 2 1/2" x 3 3/4" Escutcheons		
EB80	EB80		EB80	EB80
Passage Spring Latch . . . . .	\$ 217.00		Single Dummy . . . . .	\$ 87.00
Privacy Spring Latch. . . . .	\$ 224.00		Full Dummy . . . . .	\$ 174.00

		<b>CURVED ESCUTCHEONS</b> 2 1/2" x 6 1/2" Escutcheons		
EB85	EB85		EB85	EB85
Passage Spring Latch . . . . .	\$ 238.00		Single Dummy . . . . .	\$ 98.00
Privacy Spring Latch. . . . .	\$ 245.00		Full Dummy . . . . .	\$ 196.00

- All finishes are priced the same.
- Price includes your choice of any Builder Series knob or lever (KB40, KB50, KB60, LB30, LB50, or LB60).
- Combinations are shown with LB60 Small Olympus Lever for illustration purposes only. Refer to page K1 for desired handle.
- Specify metal, patina, handing, backset, door thickness, and lock type.

EXTERIOR	INTERIOR		EXTERIOR	INTERIOR
		<p><b>METRO ESCUTCHEONS</b> 2 1/2" x 3 3/4" Escutcheons</p> 		
EB20	EB20		EB20	EB20
Passage Spring Latch . . . . .	\$ 217.00		Single Dummy . . . . .	\$ 87.00
Privacy Spring Latch. . . . .	\$ 224.00		Full Dummy . . . . .	\$ 174.00

		<p><b>METRO ESCUTCHEONS</b> 2 1/2" x 6 1/2" Escutcheons</p> 		
EB25	EB25		EB25	EB25
Passage Spring Latch . . . . .	\$ 238.00		Single Dummy . . . . .	\$ 98.00
Privacy Spring Latch. . . . .	\$ 245.00		Full Dummy . . . . .	\$ 196.00