

Sample Order / Cheat Sheet
J Screen Door Hardware 1/2

QUOTE ORDER

NAME: _____
 ADDRESS: _____

 OFFICE PHONE: _____
 CONTACT: _____
 FAX PHONE: _____
 JOB NAME: _____
 JOB PHONE: _____

PO# _____
 DELIVERY: _____
 ADDRESS: _____



HARDWARE WORK ORDER

Toll Free 888.788.2013 or 208.788.2013; Fax 208.788.2577

2002 12 04

LINE NO.	FUNCTION	HANDLE		ESCUTCHEON		METAL	PATINA	HANDING OR LENGTH	BACKSET	DOOR THICKNESS	LOCK TYPE	DEAD BOLT TRIM	DESCRIPTION	LOCATION #	QTY.	PRICE QUOTED
		EXTERIOR	INTERIOR	EXTERIOR	INTERIOR											
1	SC-PA	LB50	LB50	E405	E405	B	D	R	134	138	ML		2 3/4" Max	2,6	2	600.00
2	SC-PR	LB60	LB60	E317	E316	W	L	RR	112	134	ML			1	1	681.00
3	SC-DU	KB50	KB50	E710	E710	B	M	L						3	1	382.00
4	SC-PO	KB60	KB60	E515	E516	W	D	LR	2	112	ML			4,5	2	673.00
5	SC-DU		LB50		E405	W	M	LR						7	1	191.00
6																

FUNCTION
 SC-DU = Dummy
 SC-PA = Passage
 SC-PO = Patio
 SC-PR = Privacy

HANDLE
 For a list of Levers and Knobs available for Screen Door Sets, see next page.

For specifications, refer to Section A.

ESCUTCHEONS
 For a list of Escutcheons available for Screen Door Sets, see next page.

For configurations, specifications, and pricing, refer to content of this section.

METAL
 B = Silicon Bronze
 W = White Bronze

PATINA
 L = Light
 M = Medium
 D = Dark
 R = Rust
 BB = Brushed

HANDING / LENGTH
 L = Left Hand
 R = Right Hand
 LR = Left Hand Reverse
 RR = Right Hand Reverse

BACKSET
 112 = 1 1/2"
 134 = 1 3/4"
 2 = 2"

DOOR THICKNESS
 118 = 1 1/8"
 138 = 1 3/8"
 112 = 1 1/2"
 134 = 1 3/4"
 178 = 1 7/8"
 2 = 2"
 214 = 2 1/4"
 Up-charge for sizes below.
 Call for pricing.
 212 = 2 1/2"
 258 = 2 5/8"
 234 = 2 3/4"
 3 = 3"
 314 = 3 1/4"
 312 = 3 1/2"
 4 = 4"
 N = No

LOCK TYPE
 ML = Mortise Lock

DEAD BOLT TRIM
 Not Applicable

DESCRIPTION
 Maximum Projection

LOCATION #
 Room Number or Door Number, etc.

QTY
 Number of each desired

PRICE
 \$ List price each

Sample Order / Cheat Sheet

J Screen Door Hardware 2/2

HANDLE

T300 = T Handle

Levers

LB30 = Small Reed Lever
LB50 = Small Beaver Tail Lever
LB60 = Small Olympus Lever
LW05 = Mini Ellis Lever
LW10 = Mini Euro Lever
LW20 = Mini French Lever
LW33 = Mini Reed Lever
LW37 = Mini Strap Lever
LW40 = Mini Classic Lever
LW50 = Mini Acanthus Lever
LW60 = Mini Harrington Lever
LW63 = Mini Olympus Lever
LW80 = Mini Monarch Lever
BF108 = Slide Fold Lever

Knobs

KB40 = Small Squash Knob
KB50 = Small Potato Knob
KB60 = Small Luna Knob

ESCUTCHEONS

Rectangular

E405 = 2" x 6" Rectangular
E407 = 2" x 6" Rectangular (ER)
E406 = 2" x 6" Rectangular (TP)

Stepped

E315 = 2" x 6" Stepped
E317 = 2" x 6" Stepped (ER)
E316 = 2" x 6" Stepped (TP)

Metro

E215 = 2" x 6" Metro
E217 = 2" x 6" Metro (ER)
E216 = 2" x 6" Metro (TP)

Arched

E710 = 2" x 6" Arched
E712 = 2" x 6" Arched (ER)
E711 = 2" x 6" Arched (TP)

Curved

E515 = 2" x 6" Curved
E517 = 2" x 6" Curved (ER)
E516 = 2" x 6" Curved (TP)

Ellis

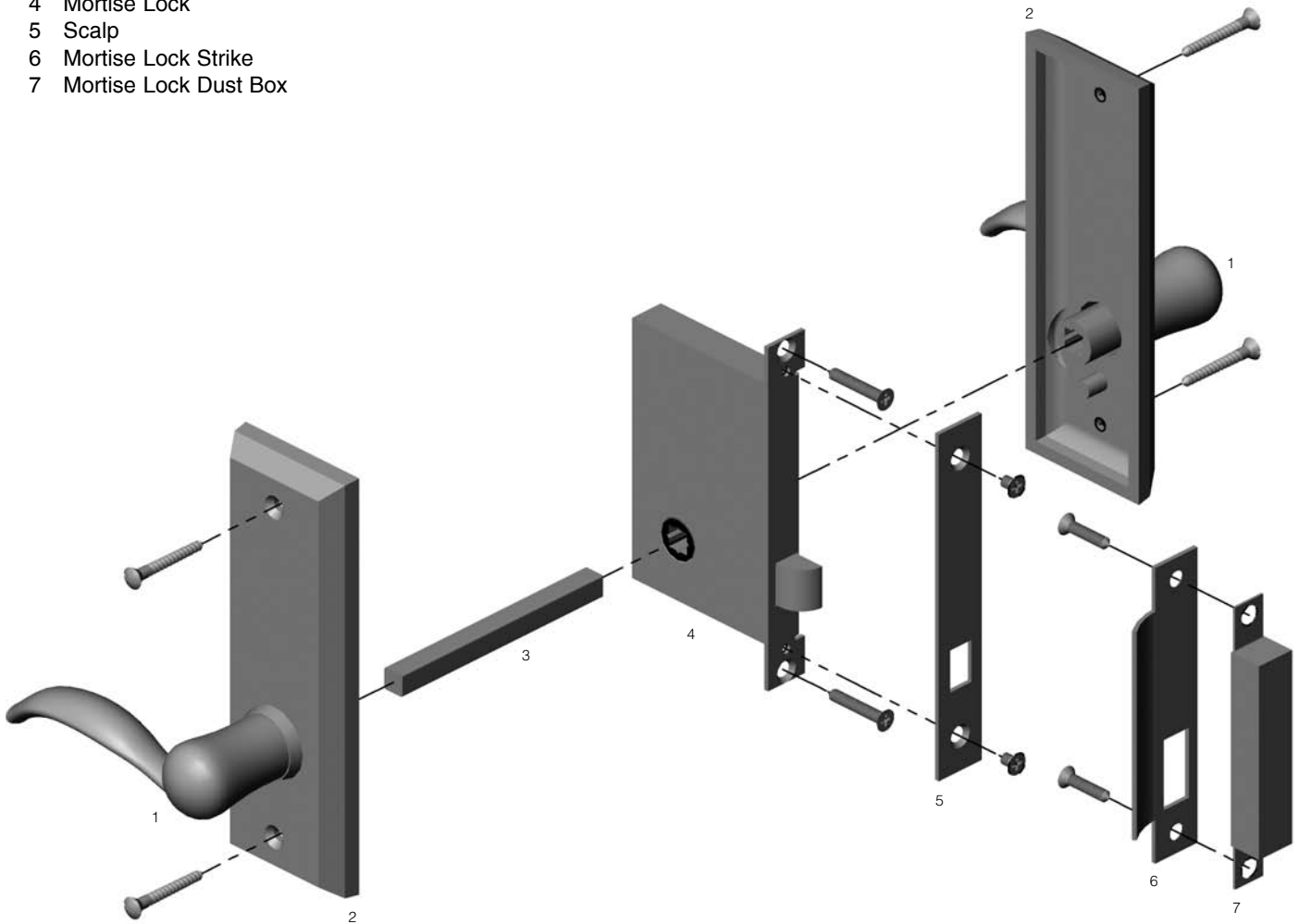
E015 = 2" x 6" Ellis
E017 = 2" x 6" Ellis (ER)
E016 = 2" x 6" Ellis (TP)

Key

(ER) = Emergency Release
Escutcheon
(TP) = Turn Piece Escutcheon

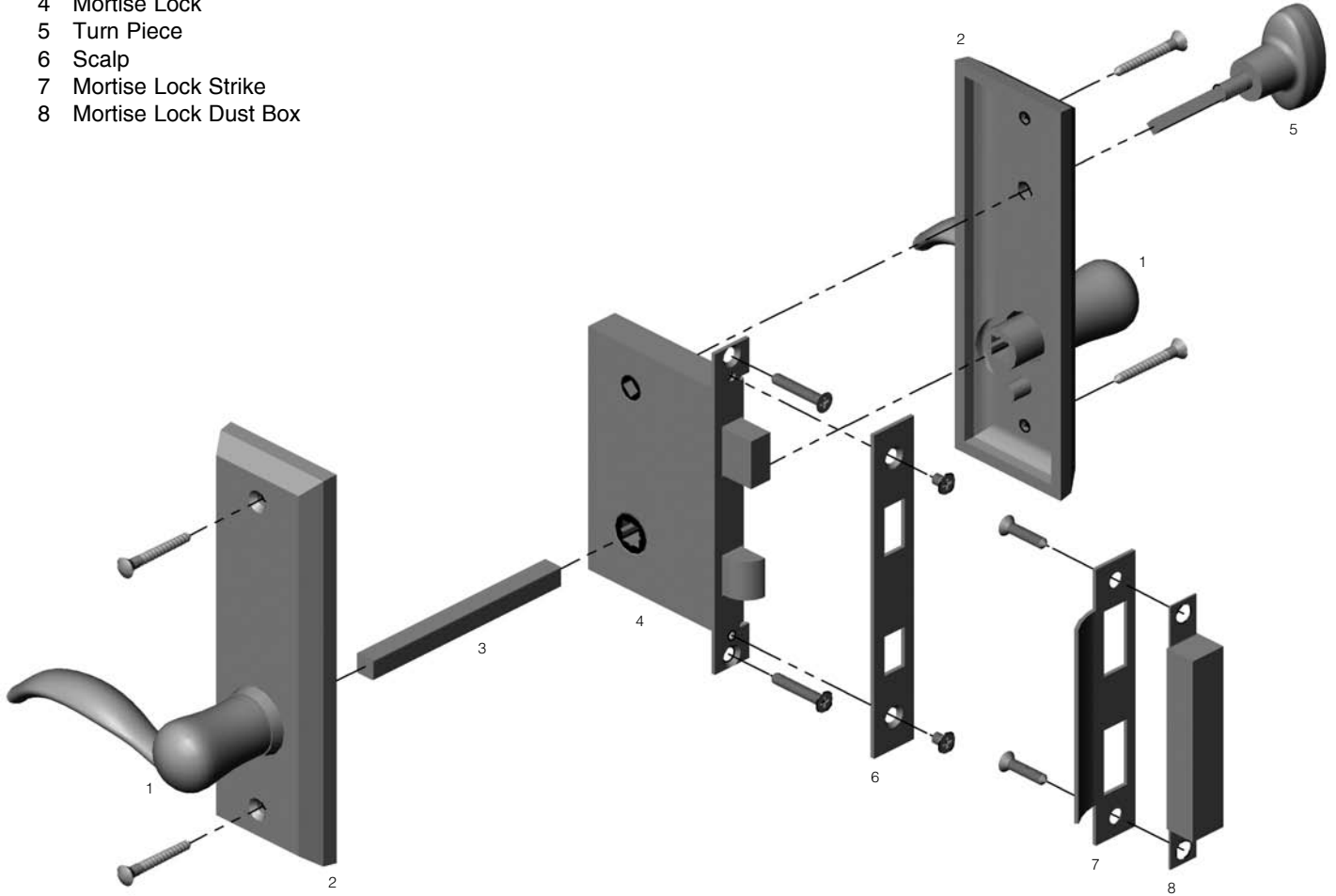
Passage Mortise Lock Set—Lever to Lever

- 1 Lever
- 2 Escutcheon
- 3 Straight Spindle
- 4 Mortise Lock
- 5 Scalp
- 6 Mortise Lock Strike
- 7 Mortise Lock Dust Box



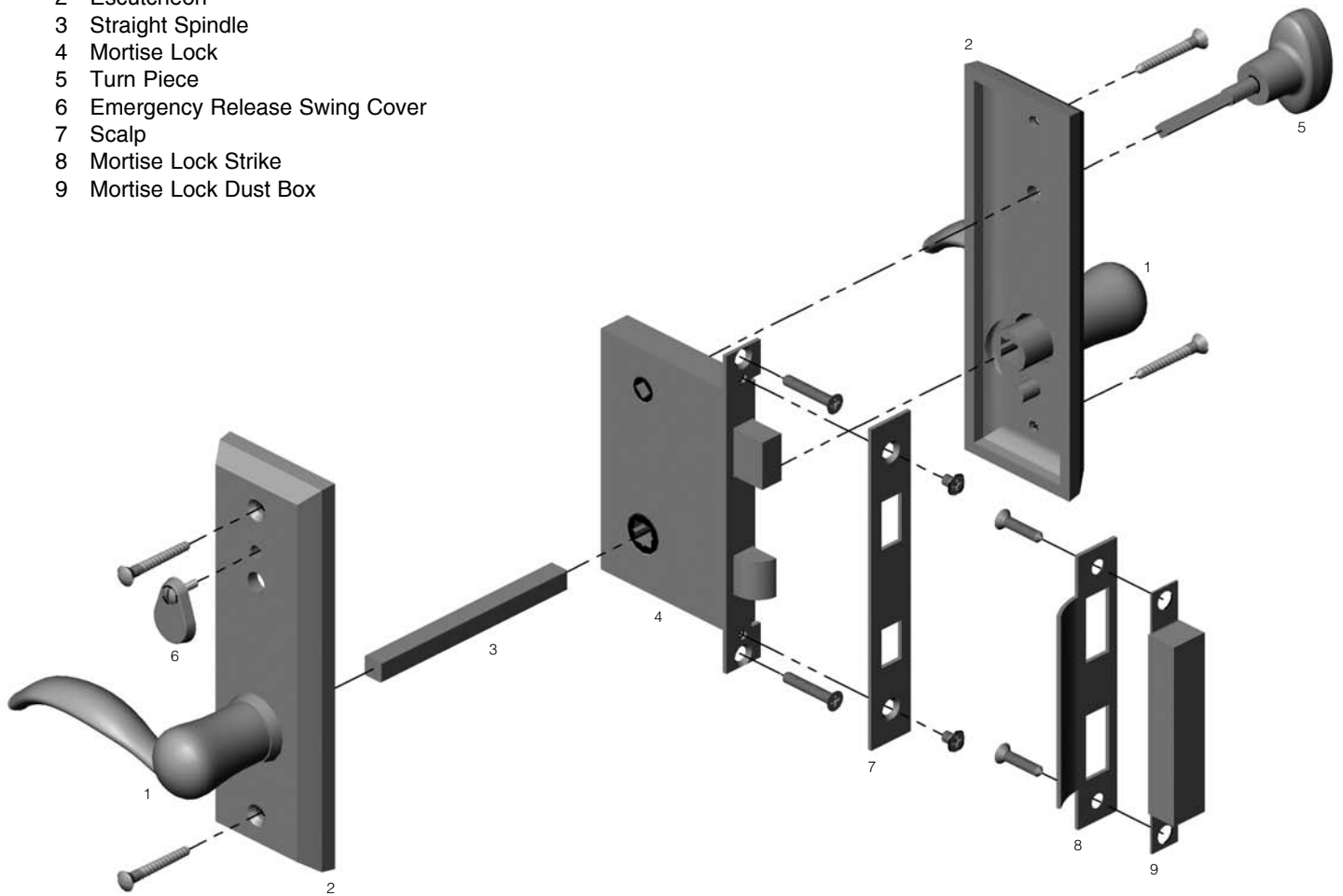
Patio Mortise Lock Set—Lever to Lever

- 1 Lever
- 2 Escutcheon
- 3 Straight Spindle
- 4 Mortise Lock
- 5 Turn Piece
- 6 Scalp
- 7 Mortise Lock Strike
- 8 Mortise Lock Dust Box



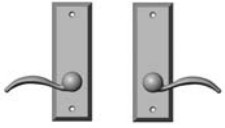


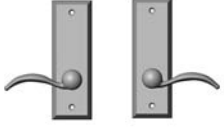
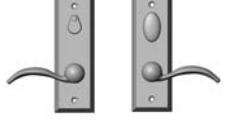
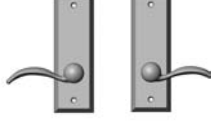
Privacy Mortise Lock Set—Lever to Lever

- 1 Lever
- 2 Escutcheon
- 3 Straight Spindle
- 4 Mortise Lock
- 5 Turn Piece
- 6 Emergency Release Swing Cover
- 7 Scalp
- 8 Mortise Lock Strike
- 9 Mortise Lock Dust Box









Note: Cut Shank on Turn Piece so that it goes halfway through the Mortise Lock. This will allow a space for the emergency release key to operate the Dead Bolt.


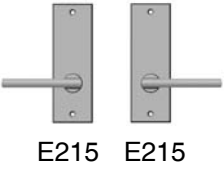

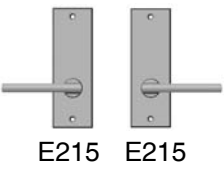

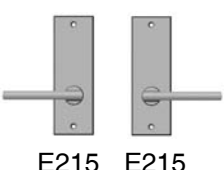
- All finishes are priced the same.
- Price includes your choice of handle except for the Crystal Knobs (K150 and K155), where an upcharge applies. Call RMH for pricing.
- Combinations are shown with LW40 Mini Classic Lever for illustration purposes only. Refer to Section A for desired handle.
- Refer to Section U for door preparatory specifications. Call RMH to verify compatibility of each escutcheon with pre-existing door conditions.
- When applicable, specify maximum projection requirements.
- Specify metal, patina, handing, backset, door thickness, and lock type.
- Available in 1 1/2", 1 3/4", or 2" backset.

	ACTIVE	DUMMY	ESCUTCHEON OPTIONS
A	 E405 E405	 E405 E405	A 2" x 6" Rectangular Escutcheon E405 / E405 Passage Mortise Lock . . . \$600.00 E405 Single Dummy \$191.00 E405 / E405 Full Dummy \$382.00 Refer to spec page B7
B	 E405 E406	 E405 E405	B 2" x 6" Rectangular Escutcheon E405 / E406 Patio Mortise Lock \$673.00 E405 Single Dummy \$191.00 E405 / E405 Full Dummy \$382.00 Refer to spec page B7
C	 E407 E406	 E405 E405	C 2" x 6" Rectangular Escutcheon E407 / E406 Privacy Mortise Lock \$681.00 E405 Single Dummy \$191.00 E405 / E405 Full Dummy \$382.00 Refer to spec page B7

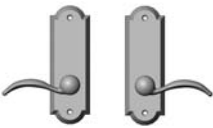
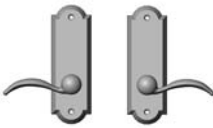

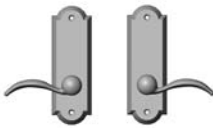


- All finishes are priced the same.
- Price includes your choice of handle except for the Crystal Knobs (K150 and K155), where an upcharge applies. Call RMH for pricing.
- Combinations are shown with LB60 Mini Olympus Lever for illustration purposes only. Refer to Section A for desired handle.
- Refer to Section U for door preparatory specifications. Call RMH to verify compatibility of each escutcheon with pre-existing door conditions.
- When applicable, specify maximum projection requirements.
- Specify metal, patina, handing, backset, door thickness, and lock type.
- Available in 1 1/2", 1 3/4", or 2" backset.

	ACTIVE	DUMMY	ESCUTCHEON OPTIONS
A	 E315 E315	 E315 E315	A 2" x 6" Stepped Escutcheon E315 / E315 Passage Mortise Lock . . . \$600.00 E315 Single Dummy \$191.00 E315 / E315 Full Dummy \$382.00 Refer to spec page B18
B	 E315 E316	 E315 E315	B 2" x 6" Stepped Escutcheon E315 / E316 Patio Mortise Lock \$673.00 E315 Single Dummy \$191.00 E315 / E315 Full Dummy \$382.00 Refer to spec page B18
C	 E317 E316	 E315 E315	C 2" x 6" Stepped Escutcheon E317 / E316 Privacy Mortise Lock \$681.00 E315 Single Dummy \$191.00 E315 / E315 Full Dummy \$382.00 Refer to spec page B18

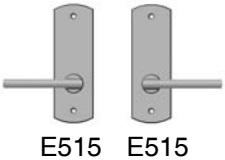
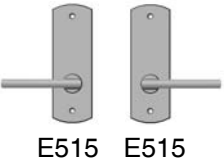

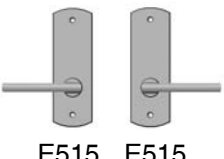

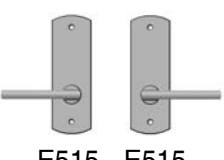
- All finishes are priced the same.
- Price includes your choice of handle except for the Crystal Knobs (K150 and K155), where an upcharge applies. Call RMH for pricing.
- Combinations are shown with LB60 Mini Olympus Lever for illustration purposes only. Refer to Section A for desired handle.
- Refer to Section U for door preparatory specifications. Call RMH to verify compatibility of each escutcheon with pre-existing door conditions.
- When applicable, specify maximum projection requirements.
- Specify metal, patina, handing, backset, door thickness, and lock type.
- Available in 1 1/2", 1 3/4", or 2" backset.

	ACTIVE	DUMMY	ESCUTCHEON OPTIONS
A	 <p>E215 E215</p>	 <p>E215 E215</p>	<p>A 2" x 6" Metro Escutcheon E215 / E215 Passage Mortise Lock . . . \$600.00 E215 Single Dummy \$191.00 E215 / E215 Full Dummy \$382.00 Refer to spec page B30</p>
B	 <p>E215 E216</p>	 <p>E215 E215</p>	<p>B 2" x 6" Metro Escutcheon E215 / E216 Patio Mortise Lock \$673.00 E215 Single Dummy \$191.00 E215 / E215 Full Dummy \$382.00 Refer to spec page B30</p>
C	 <p>E217 E216</p>	 <p>E215 E215</p>	<p>C 2" x 6" Metro Escutcheon E217 / E216 Privacy Mortise Lock \$681.00 E215 Single Dummy \$191.00 E215 / E215 Full Dummy \$382.00 Refer to spec page B30</p>







- All finishes are priced the same.
- Price includes your choice of handle except for the Crystal Knobs (K150 and K155), where an upcharge applies. Call RMH for pricing.
- Combinations are shown with LW40 Mini Classic Lever for illustration purposes only. Refer to Section A for desired handle.
- Refer to Section U for door preparatory specifications. Call RMH to verify compatibility of each escutcheon with pre-existing door conditions.
- When applicable, specify maximum projection requirements.
- Specify metal, patina, handing, backset, door thickness, and lock type.
- Available in 1 1/2", 1 3/4", or 2" backset.

	ACTIVE	DUMMY	ESCUTCHEON OPTIONS
A	 E710 E710	 E710 E710	A 2" x 6" Arched Escutcheon E710 / E710 Passage Mortise Lock . . . \$600.00 E710 Single Dummy \$191.00 E710 / E710 Full Dummy \$382.00 Refer to spec page B40
B	 E710 E711	 E710 E710	B 2" x 6" Arched Escutcheon E710 / E711 Patio Mortise Lock \$673.00 E710 Single Dummy \$191.00 E710 / E710 Full Dummy \$382.00 Refer to spec page B40
C	 E712 E711	 E710 E710	C 2" x 6" Arched Escutcheon E712 / E711 Privacy Mortise Lock \$681.00 E710 Single Dummy \$191.00 E710 / E710 Full Dummy \$382.00 Refer to spec page B40

- All finishes are priced the same.
- Price includes your choice of handle except for the Crystal Knobs (K150 and K155), where an upcharge applies. Call RMH for pricing.
- Combinations are shown with LB60 Mini Olympus Lever for illustration purposes only. Refer to Section A for desired handle.
- Refer to Section U for door preparatory specifications. Call RMH to verify compatibility of each escutcheon with pre-existing door conditions.
- When applicable, specify maximum projection requirements.
- Specify metal, patina, handing, backset, door thickness, and lock type.
- Available in 1 1/2", 1 3/4", or 2" backset.

	ACTIVE	DUMMY	ESCUTCHEON OPTIONS
A	 <p>E515 E515</p>	 <p>E515 E515</p>	<p>A 2" x 6" Curved Escutcheon E515 / E515 Passage Mortise Lock . . . \$600.00 E515 Single Dummy \$191.00 E515 / E515 Full Dummy \$382.00 Refer to spec page B51</p>
B	 <p>E515 E516</p>	 <p>E515 E515</p>	<p>B 2" x 6" Curved Escutcheon E515 / E516 Patio Mortise Lock \$673.00 E515 Single Dummy \$191.00 E515 / E515 Full Dummy \$382.00 Refer to spec page B51</p>
C	 <p>E517 E516</p>	 <p>E515 E515</p>	<p>C 2" x 6" Curved Escutcheon E517 / E516 Privacy Mortise Lock \$681.00 E515 Single Dummy \$191.00 E515 / E515 Full Dummy \$382.00 Refer to spec page B51</p>

- All finishes are priced the same.
- Price includes your choice of handle except for the Crystal Knobs (K150 and K155), where an upcharge applies. Call RMH for pricing.
- Combinations are shown with LW05 Mini Ellis Lever for illustration purposes only. Refer to Section A for desired handle.
- Refer to Section U for door preparatory specifications. Call RMH to verify compatibility of each escutcheon with pre-existing door conditions.
- When applicable, specify maximum projection requirements.
- Specify metal, patina, handing, backset, door thickness, and lock type.
- Available in 1 1/2", 1 3/4", or 2" backset.

	ACTIVE	DUMMY	ESCUTCHEON OPTIONS
A	 E015 E015	 E015 E015	A 2" x 6" Ellis Escutcheon E015 / E015 Passage Mortise Lock . . . \$736.00 E015 Single Dummy \$259.00 E015 / E015 Full Dummy \$518.00 Refer to spec page B75
B	 E015 E016	 E015 E015	B 2" x 6" Ellis Escutcheon E015 / E016 Patio Mortise Lock \$809.00 E015 Single Dummy \$259.00 E015 / E015 Full Dummy \$518.00 Refer to spec page B75
C	 E017 E016	 E015 E015	C 2" x 6" Ellis Escutcheon E017 / E016 Privacy Mortise Lock \$817.00 E015 Single Dummy \$259.00 E015 / E015 Full Dummy \$518.00 Refer to spec page B75