

**Sample Order / Cheat Sheet**  
**G Push/Pull Sets 1/2**

QUOTE  ORDER

NAME: \_\_\_\_\_  
 ADDRESS: \_\_\_\_\_  
 \_\_\_\_\_  
 OFFICE PHONE: \_\_\_\_\_  
 FAX PHONE: \_\_\_\_\_  
 JOB PHONE: \_\_\_\_\_

PO# \_\_\_\_\_  
 DELIVERY: \_\_\_\_\_  
 ADDRESS: \_\_\_\_\_  
 \_\_\_\_\_  
 \_\_\_\_\_



**HARDWARE WORK ORDER**  
 Toll Free 888.788.2013 or 208.788.2013; Fax 208.788.2577

ORDER DATE: \_\_\_\_\_  
 CONTACT: \_\_\_\_\_  
 JOB NAME: \_\_\_\_\_

LINE NO.	FUNCTION	HANDLE		ESCUTCHEON		METAL	PATINA	HANDING OR LENGTH	BACKSET	DOOR THICKNESS	LOCK TYPE	DEAD BOLT TRIM	DESCRIPTION	LOCATION #	QTY.	PRICE QUOTED
		EXTERIOR	INTERIOR	EXTERIOR	INTERIOR											
1	PP	G609	G609	N	N	B	D		N	134	N		BTB	1	1	700.00
2	PP	G607	G607	G641	G641	B	R		234	134	DD			2	1	1216.00
3	PP	G614	G614	G684	G684	W	D		N	134	N			3	1	1294.00
4	PP	G603	N	N	N	B	L		N	134	N		TB	4	1	336.00
5	PP	N	N	G604	G604	W	M		N	N	N			5	1	432.00

**FUNCTION**  
 PP = Push/Pull

**HANDLE**  
 For a list of Grips available for Push/Pull Door Sets, see next page.  
 For specifications, refer to Section A.

**ESCUTCHEONS**  
 For a list of Escutcheons available for Push/Pull Door Sets, see next page.  
 For configurations, specifications, and pricing, refer to content of this section.

**METAL**  
 B = Silicon Bronze  
 W = White Bronze

**PATINA**  
 L = Light  
 M = Medium  
 D = Dark  
 R = Rust  
 BB = Brushed

**HANDING**  
 Not Applicable

**BACKSET**  
 238 = 2 3/8" DB  
 234 = 2 3/4" DB

*Up-charge for sizes below. Call for pricing.*  
 114 = 1 1/4" ML  
 112 = 1 1/2" ML  
 134 = 1 3/4" ML  
 2 = 2" ML  
 214 = 2 1/4" ML  
 212 = 2 1/2" ML  
 234 = 2 3/4" ML  
 334 = 3 3/4" ML  
 5 = 5" ML  
 6 = 6" ML  
 N = No

**DOOR THICKNESS**  
 138 = 1 3/8"  
 112 = 1 1/2"  
 134 = 1 3/4"  
 178 = 1 7/8"  
 2 = 2"  
 214 = 2 1/4"  
*Up-charge for sizes below. Call for pricing.*  
 212 = 2 1/2"  
 258 = 2 5/8"  
 234 = 2 3/4"  
 3 = 3"  
 314 = 3 1/4"  
 312 = 3 1/2"  
 4 = 4"  
 N = No

**LOCK TYPE**  
 DB = Dead Bolt  
 DD = Double Cylinder Dead Bolt  
 ML = Mortise Lock

**DEAD BOLT TRIM**  
 Not Applicable

**DESCRIPTION**  
 BTB = Back-To-Back  
 TB = Thru-Bolt  
**Leather Options**  
 LBK = Black Leather  
 LBT = Brown Tapestry Leather  
 LBW = Brown Weave Leather  
 LCH = Chocolate Leather  
 LHA = Hazelnut Leather  
 LSP = Spice Leather  
 LWH = White Leather  
 LWI = Wine Leather

**Grip Leather Options**  
 GLA = Acorn Weave  
 GLB = Brown Weave

**Bronze Insert Options**  
 BTW = Weave Insert  
 BFL = Flower Insert  
 BTD = Tide Insert  
 BWD = Wood Insert  
 BBR = Branch Insert  
 BBA = Basic Insert  
 BTF = Tuft Insert

**LOCATION #**  
 Room Number or Door Number, etc.

**QTY**  
 Number of each desired

**PRICE**  
 \$ List price each

**HANDLE**

**Grips**

- DH6 = 6" D Grip
- G060 = 7 1/2" Ellis Grip
- G070 = 10" Ellis Grip
- G170 = 12" Leather Grip
- G172 = 18" Leather Grip
- G174 = 24" Leather Grip
- G176 = 32" Leather Grip
- G250 = 7 1/2" Civic Grip
- G254 = 10" Civic Grip
- G258 = 6" Offset Curved Rail Grip
- G259 = 8 1/16" Offset Curved Rail Grip
- G260 = 6" Offset Rail Grip
- G261 = 7 1/2" Rail Grip
- G262 = 24" Offset Rail Grip
- G263 = 12" Rail Grip
- G264 = 14" Rail Grip
- G265 = 16" Rail Grip
- G267 = 36" Rail Grip
- G268 = 24" Rail Grip
- G269 = 32" Rail Grip
- G270 = 8" Tube Grip
- G271 = 10" Tube Grip
- G272 = 14" Tube Grip
- G273 = 16" Tube Grip
- G274 = 24" Tube Grip
- G275 = 32" Tube Grip
- G276 = 36" Tube Grip
- G277 = 36" Tube Grip
- G278 = 36" Tube Grip
- G279 = 20" Tube Grip
- G280 = 12" Summit Grip
- G284 = 8" Rail Grip
- G285 = 48" Rail Grip
- G286 = 60" Rail Grip
- G372 = 20" Provence Grip
- G570 = 7 1/2" Maddox Grip
- G580 = 10" Maddox Grip
- G588 = 10" Offset Maddox Grip
- G590 = 18" Maddox Grip
- G603 = 7 1/2" Gooseneck Grip
- G605 = 8" Twisted D Grip
- G606 = 7 1/2" Sun Valley Grip
- G607 = 10" Sun Valley Grip
- G608 = 10" Branch Grip
- G609 = 8" D Grip
- G610 = 11" Branch Grip
- G611 = 8" Sash Grip
- G612 = 12" Sash Grip
- G614 = 12" Gooseneck Grip
- G615 = 6" Sash Grip
- G617 = 12" Sash Grip

**Grips (continued)**

- G618 = 6 1/2" Cobra Grip\*
- G619 = 10" D Grip
- G620 = 12" Twisted D Grip
- G621 = 4 15/16" Steeple Twist
- G622 = 10" Ribbon&Reed Grip
- G623 = 12" Steeple Twist Grip
- G624 = 12" Sun Valley Grip
- G625 = 10 1/4" Ring Grip
- G626 = 7" Ribbon&Reed Grip
- G627 = 22" Lash Grip
- G628 = 12" D Grip
- G629 = 18" D Grip
- G630 = 31 3/4" Branch Grip
- G631 = 12" Helix Grip
- G632 = 24" Sash Grip
- G633 = 19 1/2" Ring Grip
- G634 = 31" Sash Grip
- G635 = 14" Lariat Grip
- G636 = 30" D Grip
- G637 = 7 1/2" Lariat Grip
- G638 = 7" Lariat Grip
- G640 = 16" Lariat Grip
- G643 = 22" Lariat Grip
- G645 = 6" Offset Olympus Grip
- G646 = 14" Gooseneck Grip
- G647 = 34" Lariat Grip
- G650 = 7 1/2" Olympus Grip
- G651 = 10" Olympus Grip
- G652 = 14" Olympus Grip
- G653 = 22 7/8" Olympus Grip
- G654 = 42" Lash Grip
- G655 = 24" Ribbon&Reed Grip
- G656 = 18 7/8" Steeple Twist Grip
- G657 = 24" Olympus Grip
- G658 = 18" Ribbon & Reed Grip
- G659 = 15" Olympus Grip
- G660 = 7 3/8" Acorn Grip
- G661 = 22 7/8" Offset Olympus Grip
- G662 = 9" Medallion Pull
- G663 = 60" Olympus Grip
- G665 = 7" Medallion Pull
- G666 = 6" Medallion Pull
- G667 = 6" Friedman Pull
- G668 = 24" Sash Twist Grip
- G669 = 16" Sash Twist Grip
- G670 = 35 13/16" Lariat Grip
- G671 = 42" Olympus Grip
- G672 = 36" Acorn Grip
- G673 = 12" Braided Grip
- G674 = 18" Branch Grip
- G675 = 6" Luna Pull

**Grips (continued)**

- G676 = 16" Twisted D Grip
  - G677 = 33" Twisted D Grip
  - G679 = 5" Square Grip
  - G706 = 5" Cirque Grip
  - G714 = 12" Cirque Grip
  - G718 = 18" Cirque Grip
  - G750 = 7 1/2" Steeple Twist Grip
  - G830 = 4 1/2" Low-Projection Sliding Door Grip
  - G10801 = 10" Briggs Grip
  - G10802 = 7 1/2" Kettle Grip
  - G10810 = 6" Offset Briggs Grip
  - G20010 = 11 1/8" Shift Grip
  - G21075 = 7 1/2" Mack Grip
  - G21010 = 10" Mack Grip
  - SDP6 = 6" Offset D Grip
  - SDT6 = 6" Offset Branch Grip
- \* Not compatible for back-to-back mounting.*
- TBCAP1 = 7/8" Thru-Bolt Screw Caps

**ESCUTCHEONS**

- Rectangular**
- E480 = 2 1/2" x 13" Rect
  - E465 = 3 1/2" x 13" Rect
  - G644 = 2 3/4" x 18" Rect
  - G641 = 2 3/4" x 18" Rect (K)
  - G642 = 2 3/4" x 18" Rect (TP)
  - G604 = 3 1/2" x 18" Rect
  - G601 = 3 1/2" x 18" Rect (K)
  - G602 = 3 1/2" x 18" Rect (TP)
  - G684 = 3 1/2" x 24" Rect
  - G681 = 3 1/2" x 24" Rect (K)
  - G682 = 3 1/2" x 24" Rect (TP)
- Stepped**
- G304 = 2 3/4" x 20" Stepped
  - G301 = 2 3/4" x 20" Stepped (K)
  - G302 = 2 3/4" x 20" Stepped (TP)
  - G324 = 3 1/2" x 20" Stepped
  - G320 = 3 1/2" x 20" Stepped (K)
  - G322 = 3 1/2" x 20" Stepped (TP)
  - G327 = 3 1/2" x 24" Stepped
  - G326 = 3 1/2" x 24" Stepped (K)
  - G328 = 3 1/2" x 24" Stepped (TP)
- Arched**
- E780 = 2 1/2" x 13" Arched
  - E707 = 3" x 13" Arched
  - G763 = 2 3/4" x 20" Arched
  - G761 = 2 3/4" x 20" Arched (K)
  - G762 = 2 3/4" x 20" Arched (TP)
  - G771 = 3 1/2" x 20" Arched

**Arched (continued)**

- G770 = 3 1/2" x 20" Arched (K)
  - G772 = 3 1/2" x 20" Arched (TP)
  - G784 = 3 1/2" x 26" Arched
  - G781 = 3 1/2" x 26" Arched (K)
  - G782 = 3 1/2" x 26" Arched (TP)
- Designer**
- G133 = 3 1/2" x 18" Designer
  - G130 = 3 1/2" x 18" Designer (K)
  - G132 = 3 1/2" x 18" Designer (TP)
  - G137 = 3 1/2" x 24" Designer
  - G135 = 3 1/2" x 24" Designer (K)
  - G136 = 3 1/2" x 24" Designer (TP)
  - G147 = 3 1/2" x 33 7/8" Designer
  - G145 = 3 1/2" x 33 7/8" Designer (K)
  - G146 = 3 1/2" x 33 7/8" Designer (TP)

**Curved**

- G560 = 2 3/4" x 13" Curved
- G504 = 2 3/4" x 20" Curved
- G501 = 2 3/4" x 20" Curved (K)
- G502 = 2 3/4" x 20" Curved (TP)
- G508 = 3 1/2" x 26" Curved
- G505 = 3 1/2" x 26" Curved (K)
- G507 = 3 1/2" x 26" Curved (TP)

**Fleur de Lis**

- G843 = 3 1/4" x 27" Fleur de Lis
- G841 = 3 1/4" x 27" Fleur de Lis (K)
- G842 = 3 1/4" x 27" Fleur de Lis (TP)

**Briggs**

- G10852 = 3 9/16" x 23 1/4" Briggs
- G10850 = 3 9/16" x 23 1/4" Briggs (K)
- G10851 = 3 9/16" x 23 1/4" Briggs (TP)

**Gothic**

- G804 = 4 3/16" x 18" Gothic
- G801 = 4 3/16" x 18" Gothic (K)
- G802 = 4 3/16" x 18" Gothic (TP)

**Maddox**

- G584 = 3 1/2" x 22" Maddox
- G581 = 3 1/2" x 22" Maddox (K)
- G582 = 3 1/2" x 22" Maddox (TP)

**Metro**

- G227 = 2 1/4" x 17" Metro
- G225 = 2 1/4" x 17" Metro (K)
- G226 = 2 1/4" x 17" Metro (TP)
- G230 = 2 1/4" x 20" Metro
- G233 = 2 1/4" x 20" Metro (K)
- G231 = 2 1/4" x 20" Metro (TP)
- G209 = 2 1/4" x 30" Metro

**Metro (continued)**

- G207 = 2 1/4" x 30" Metro (K)
- G208 = 2 1/4" x 30" Metro (TP)
- G240 = 2 3/4" x 20" Metro
- G242 = 2 3/4" x 20" Metro (K)
- G241 = 2 3/4" x 20" Metro (TP)
- G236 = 2 3/4" x 23" Metro
- G238 = 2 3/4" x 23" Metro (K)
- G237 = 2 3/4" x 23" Metro (TP)
- G203 = 3 1/2" x 30" Metro
- G201 = 3 1/2" x 30" Metro (K)
- G202 = 3 1/2" x 30" Metro (TP)

**Ellis**

- G030 = 3 1/2" x 20" Ellis
- G033 = 3 1/2" x 20" Ellis (K)
- G031 = 3 1/2" x 20" Ellis (TP)

**Mack**

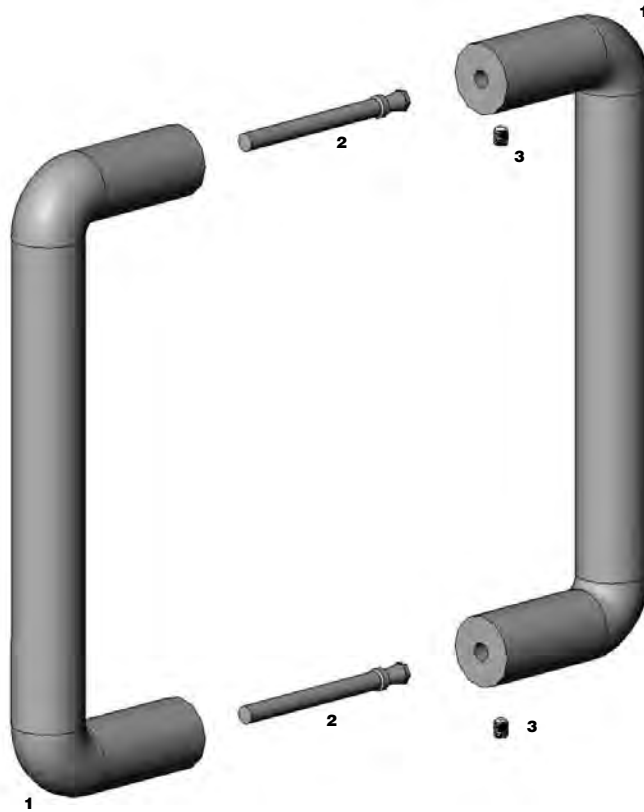
- G21030 = 3 3/4" x 20" Mack
- G21033 = 3 3/4" x 20" Mack (K)
- G21031 = 3 3/4" x 20" Mack (TP)

**Key**

- (K) = Keyed Escutcheon
- (TP) = Turn Piece Escutcheon

### Push/Pull Set Combinations—Back-to-Back Mounting


- 1 Grip
- 2 Back-to-Back Screw
- 3 Set Screw



- All finishes are priced the same.
- Single grips are thru-bolted.
- Specify metal, patina, door thickness, and leather.
- Double grips have back-to-back mounting.
- Refer to page *G*i** for leather options. See website or brochure for leather details.

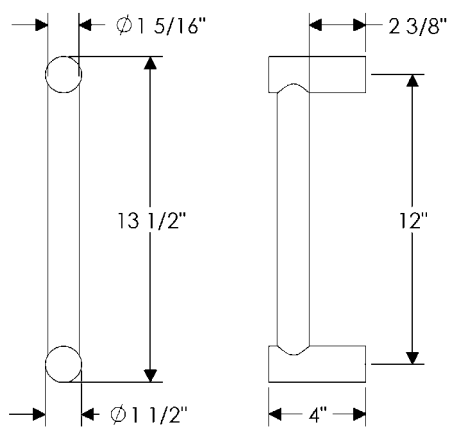
EXTERIOR INTERIOR


**12" LEATHER GRIP &**



G170      G170

Double ..... \$ 1044.00






G170

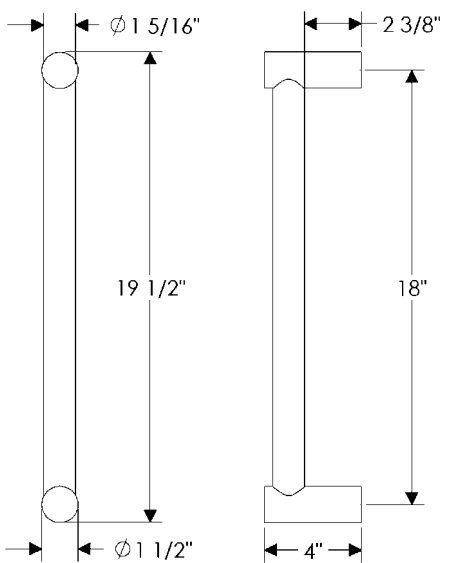
Single ..... \$ 508.00


**18" LEATHER GRIP &**



G172      G172

Double ..... \$ 1202.00





G172

Single ..... \$ 587.00

- All finishes are priced the same.
- Single grips are thru-bolted.
- Specify metal, patina, door thickness, and leather.
- Double grips have back-to-back mounting.
- Refer to page *Gi* for leather options. See website or brochure for leather details.

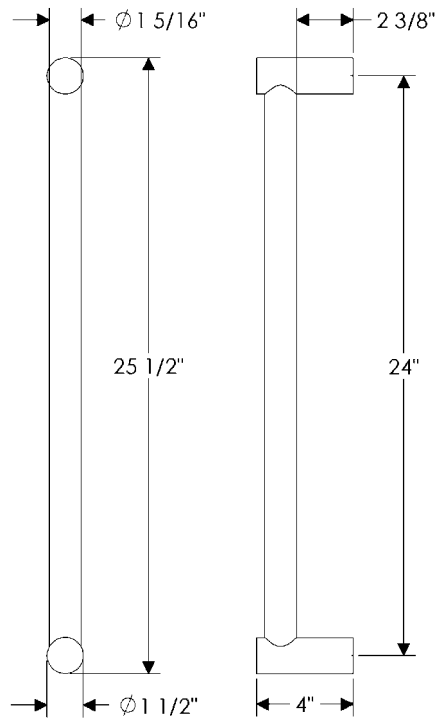
EXTERIOR INTERIOR



G174 G174

Double ..... \$ 1358.00

24" LEATHER GRIP ♿

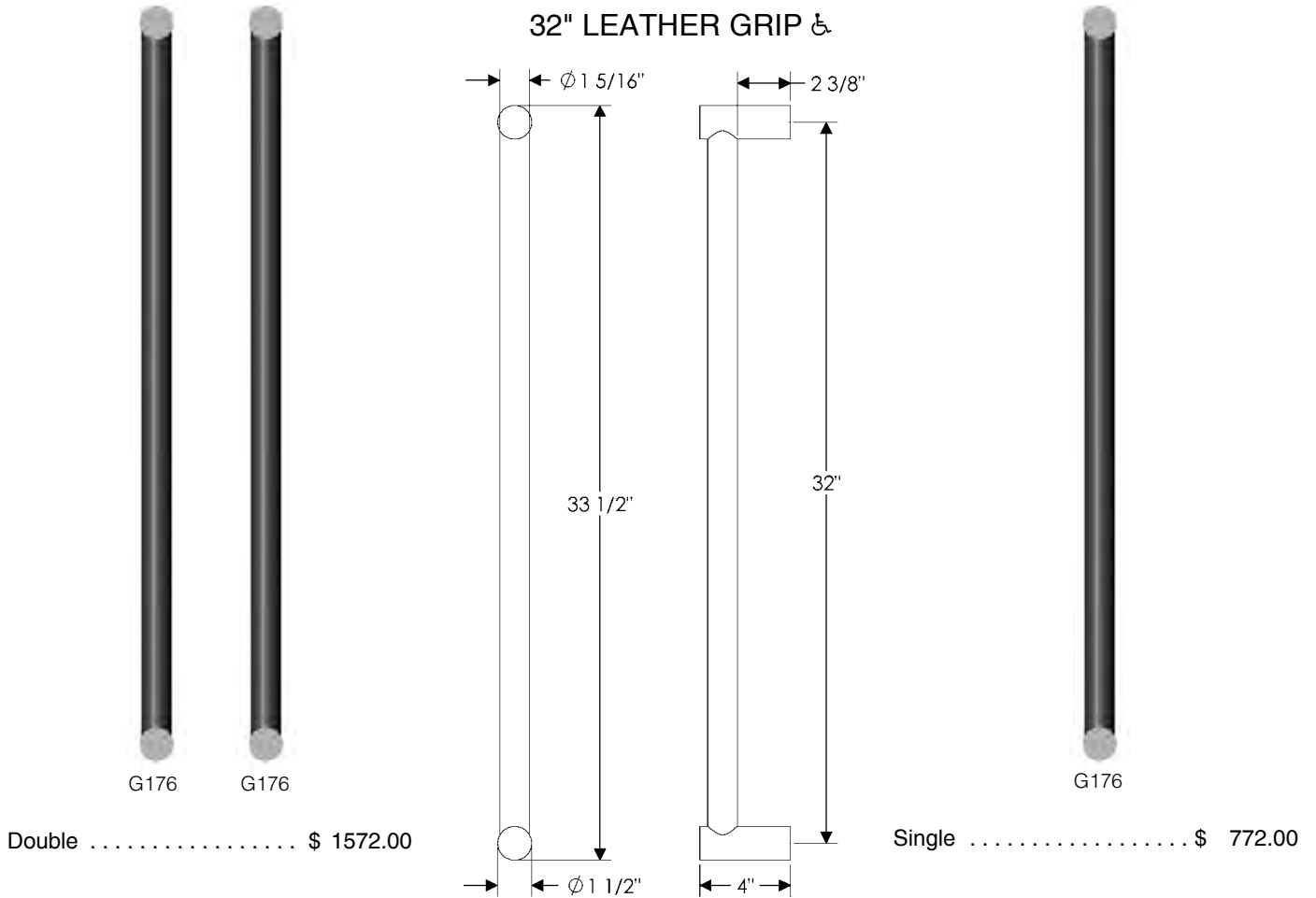


G174

Single ..... \$ 665.00

- All finishes are priced the same.
- Single grips are thru-bolted.
- Specify metal, patina, door thickness, and leather.
- Double grips have back-to-back mounting.
- Refer to page *Gi* for leather options. See website or brochure for leather details.

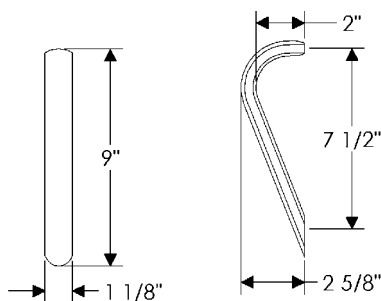
EXTERIOR INTERIOR



- All finishes are priced the same.
- Single grips are thru-bolted.
- Specify metal, patina, and door thickness.
- Not available for back-to-back mounting.

**Note:** Not available for back-to-back mounting.

7 1/2" CIVIC GRIP &

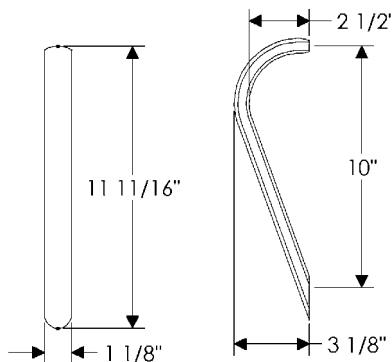


G250

Single ..... \$ 336.00

**Note:** Not available for back-to-back mounting.

10" CIVIC GRIP &




G254

Single ..... \$ 336.00

- All finishes are priced the same.
- Single grips are thru-bolted.
- Specify metal, patina, and door thickness.
- Double grips have back-to-back mounting.

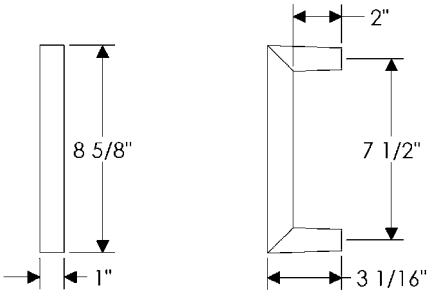
EXTERIOR INTERIOR


**7 1/2" RAIL GRIP &**



G261      G261

Double ..... \$ 700.00






G261

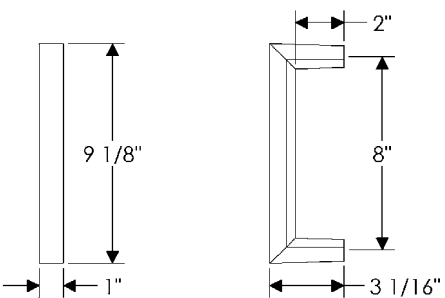
Single ..... \$ 336.00


**8" RAIL GRIP &**



G284      G284

Double ..... \$ 700.00





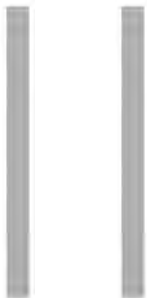
G284

Single ..... \$ 336.00



- All finishes are priced the same.
- Single grips are thru-bolted.
- Specify metal, patina, and door thickness.
- Double grips have back-to-back mounting.

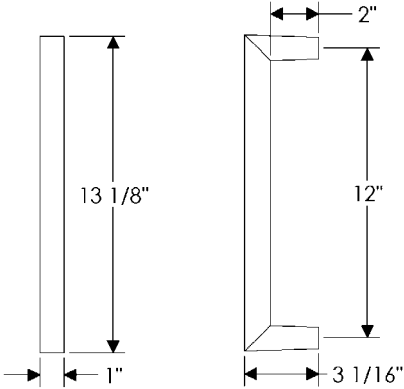
EXTERIOR INTERIOR




G263 G263

Double ..... \$ 700.00

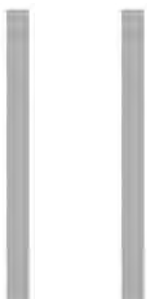
**12" RAIL GRIP** ♿





G263

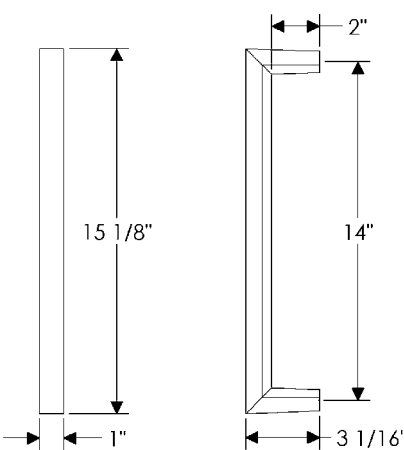
Single ..... \$ 336.00




G264 G264

Double ..... \$ 752.00

**14" RAIL GRIP** ♿






G264

Single ..... \$ 362.00


- All finishes are priced the same.
- Single grips are thru-bolted.
- Specify metal, patina, and door thickness.
- Double grips have back-to-back mounting.

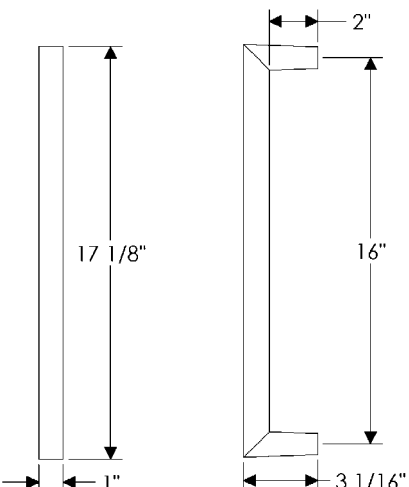
EXTERIOR INTERIOR




G265      G265

Double ..... \$ 752.00

16" RAIL GRIP 






G265

Single ..... \$ 362.00


- All finishes are priced the same.
- Single grips are thru-bolted.
- Specify metal, patina, and door thickness.
- Double grips have back-to-back mounting.

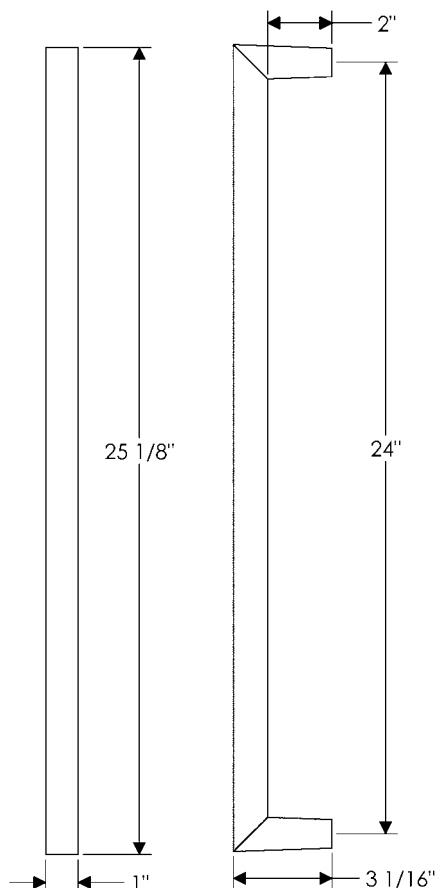
EXTERIOR INTERIOR




G268      G268

Double ..... \$ 968.00

**24" RAIL GRIP** 



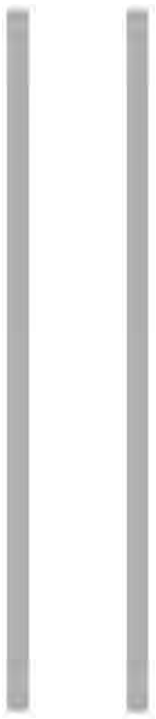


G268

Single ..... \$ 470.00

- All finishes are priced the same.
- Single grips are thru-bolted.
- Specify metal, patina, and door thickness.
- Double grips have back-to-back mounting.

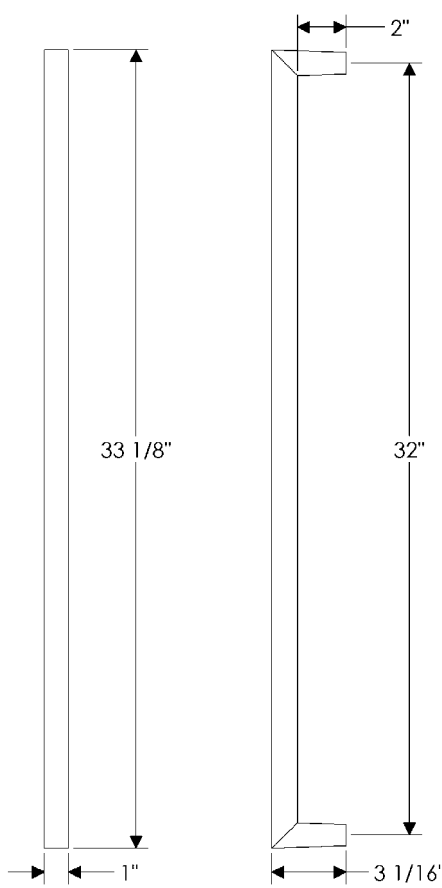
EXTERIOR INTERIOR




G269 G269

Double ..... \$ 1148.00

**32" RAIL GRIP** ♿



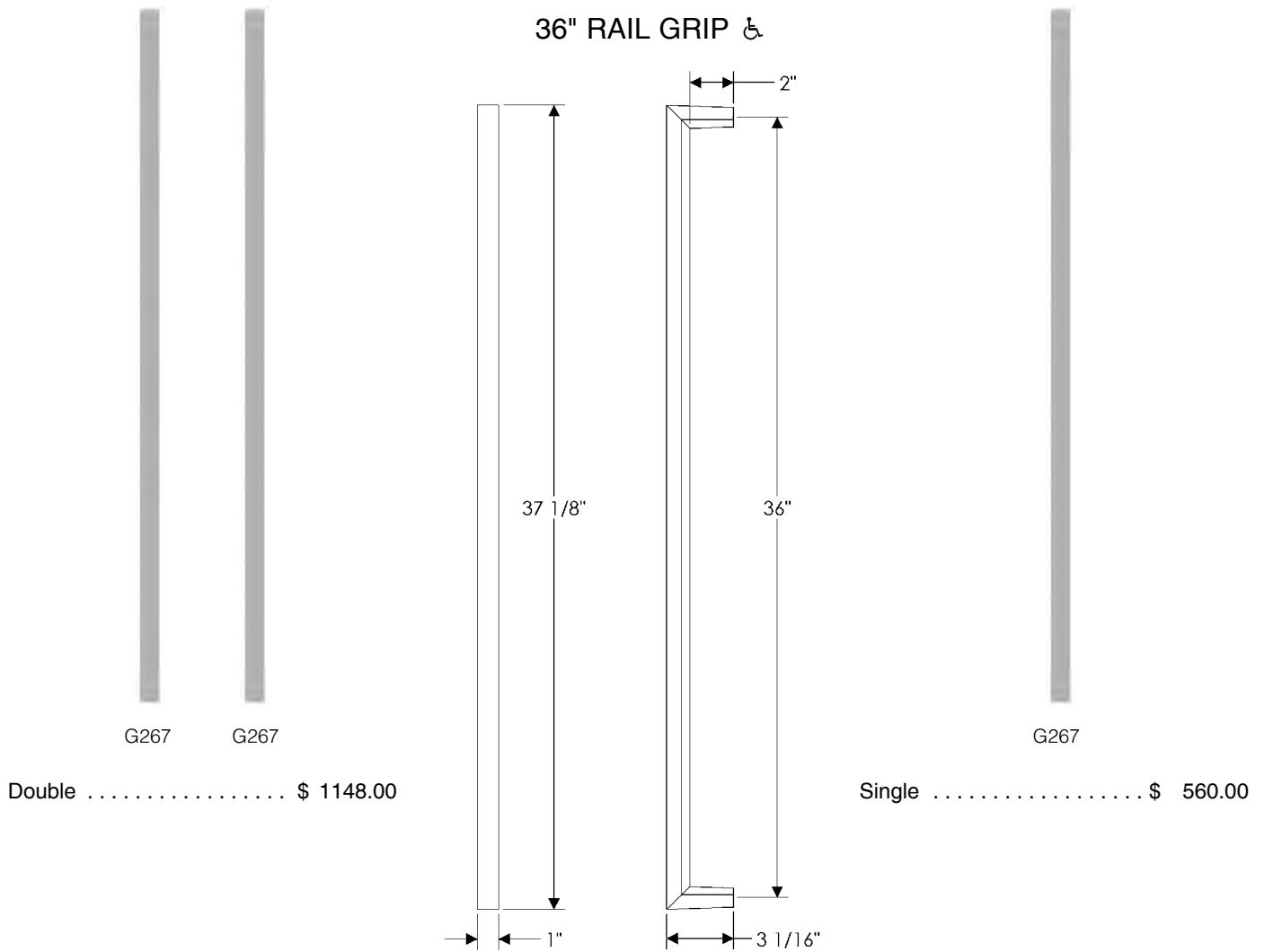


G269

Single ..... \$ 560.00

- All finishes are priced the same.
- Single grips are thru-bolted.
- Specify metal, patina, and door thickness.
- Double grips have back-to-back mounting.

EXTERIOR INTERIOR



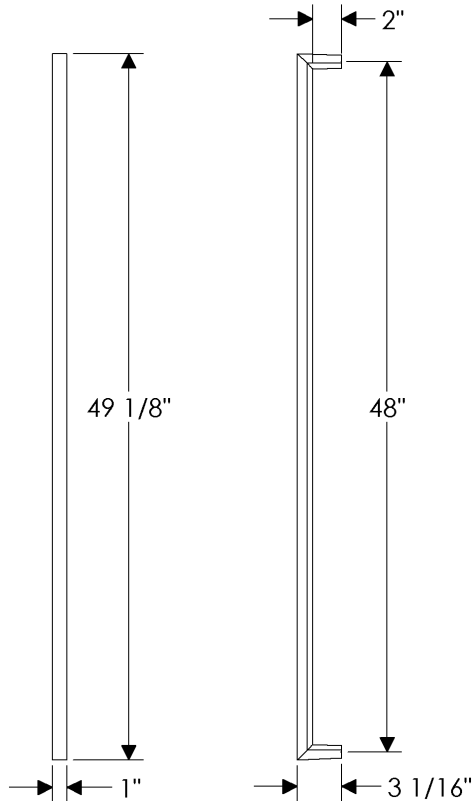
- All finishes are priced the same.
- Single grips are thru-bolted.
- Specify metal, patina, and door thickness.
- Double grips have back-to-back mounting.

EXTERIOR INTERIOR



G285 G285

48" RAIL GRIP ♿



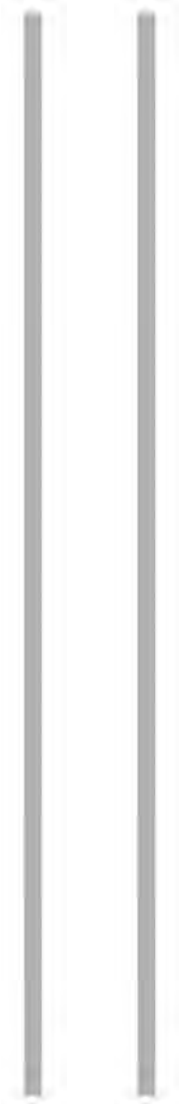
G285

Double ..... \$ 1592.00

Single ..... \$ 782.00

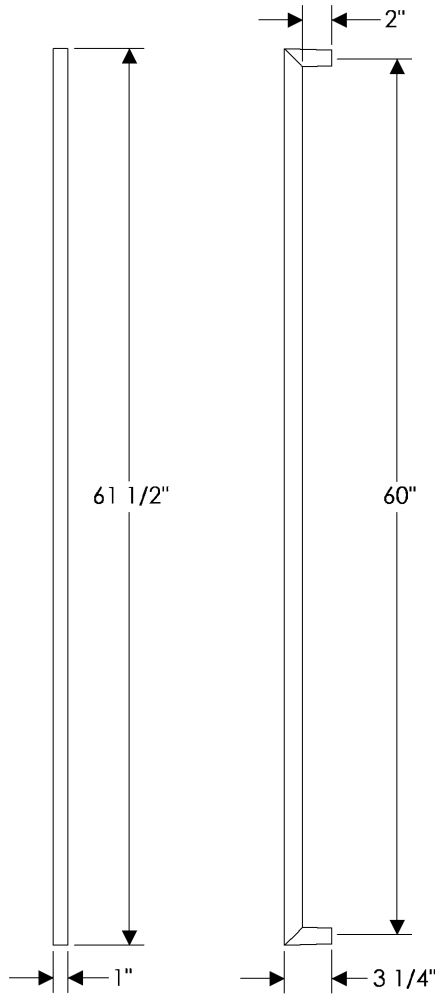
- All finishes are priced the same.
- Single grips are thru-bolted.
- Specify metal, patina, and door thickness.
- Double grips have back-to-back mounting.

EXTERIOR INTERIOR



G286 G286

60" RAIL GRIP ♿



G286

Double ..... \$ 2493.00

Single ..... \$ 1225.00

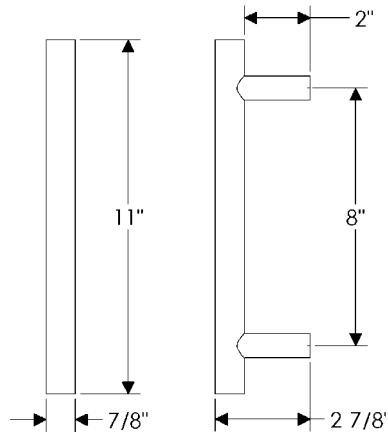
- All finishes are priced the same.
- Single grips are thru-bolted.
- Specify metal, patina, and door thickness.
- Double grips have back-to-back mounting.

EXTERIOR INTERIOR

8" TUBE GRIP ♿

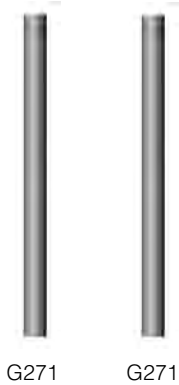


Double ..... \$ 700.00

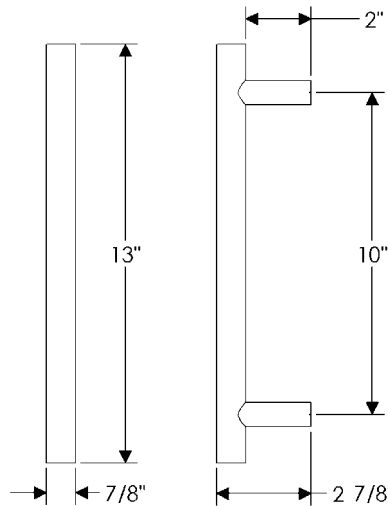


Single ..... \$ 336.00

10" TUBE GRIP ♿



Double ..... \$ 700.00



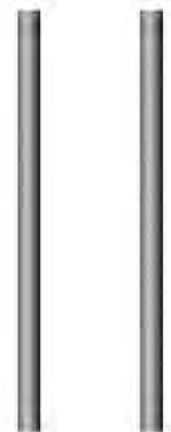
Single ..... \$ 336.00



- All finishes are priced the same.
- Single grips are thru-bolted.
- Specify metal, patina, and door thickness.
- Double grips have back-to-back mounting.

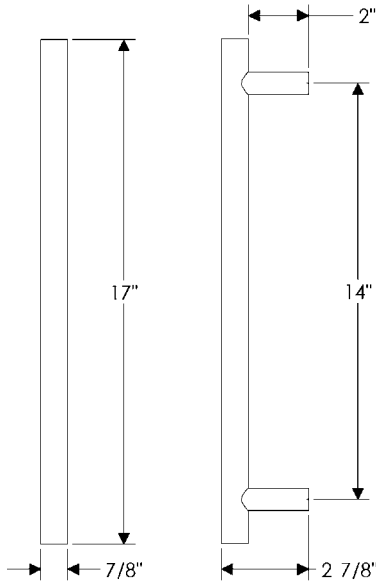
EXTERIOR INTERIOR


**14" TUBE GRIP &**



G272      G272

Double ..... \$ 754.00

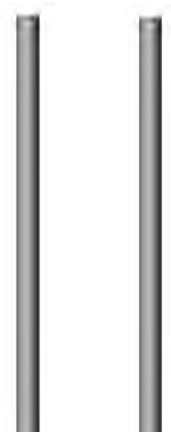




G272

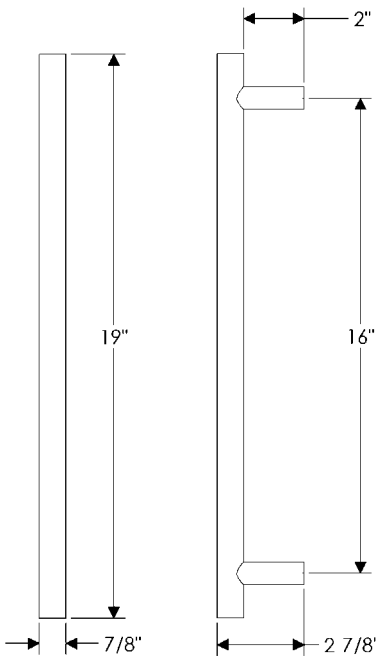
Single ..... \$ 363.00


**16" TUBE GRIP &**



G273      G273

Double ..... \$ 754.00



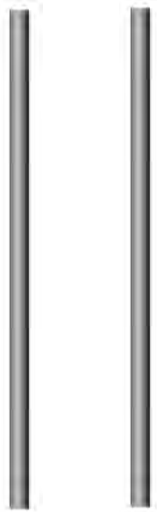


G273

Single ..... \$ 363.00

- All finishes are priced the same.
- Single grips are thru-bolted.
- Specify metal, patina, and door thickness.
- Double grips have back-to-back mounting.

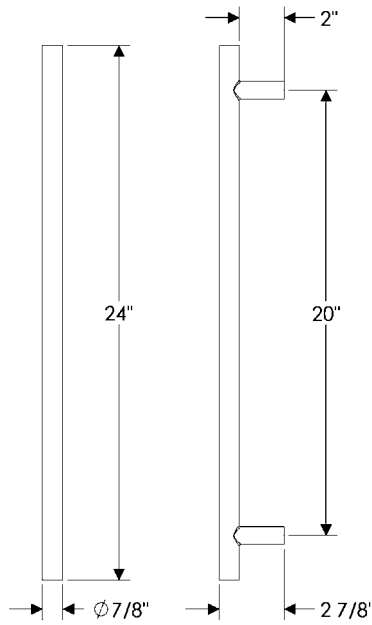
EXTERIOR    INTERIOR



G279    G279

Double ..... \$ 969.00

20" TUBE GRIP &

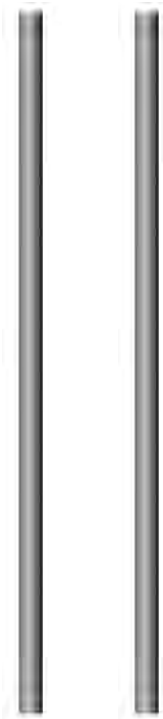


G279

Single ..... \$ 470.00


- All finishes are priced the same.
- Single grips are thru-bolted.
- Specify metal, patina, and door thickness.
- Double grips have back-to-back mounting.

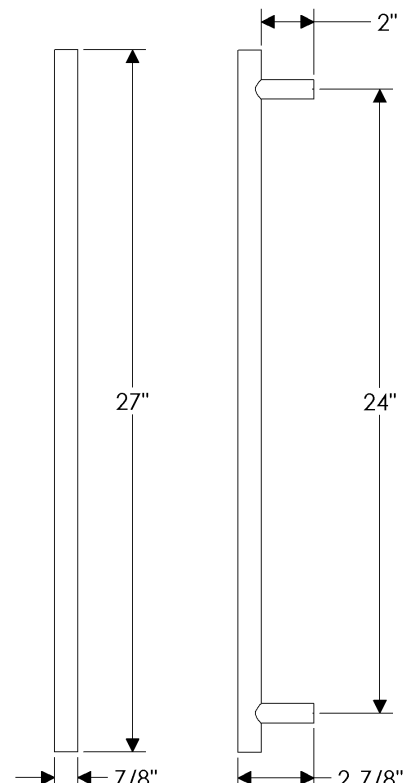
EXTERIOR INTERIOR




G274 G274

Double ..... \$ 969.00

24" TUBE GRIP 



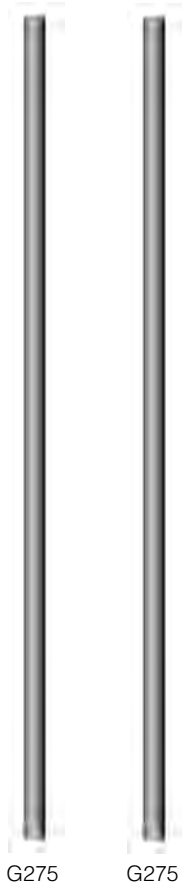


G274

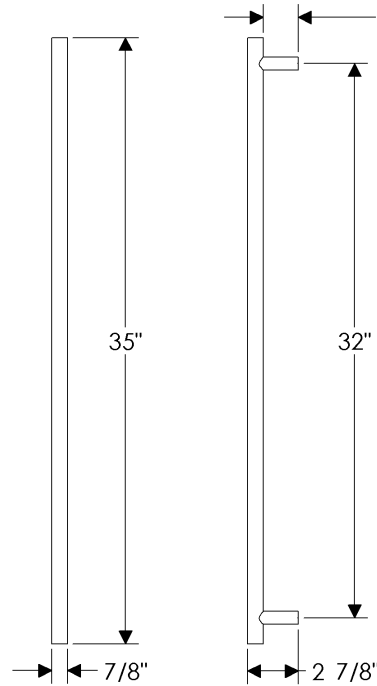
Single ..... \$ 470.00

- All finishes are priced the same.
- Single grips are thru-bolted.
- Specify metal, patina, and door thickness.
- Double grips have back-to-back mounting.

EXTERIOR INTERIOR



32" TUBE GRIP &

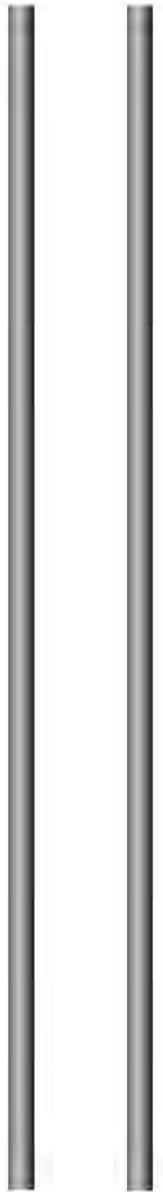


Double ..... \$ 970.00

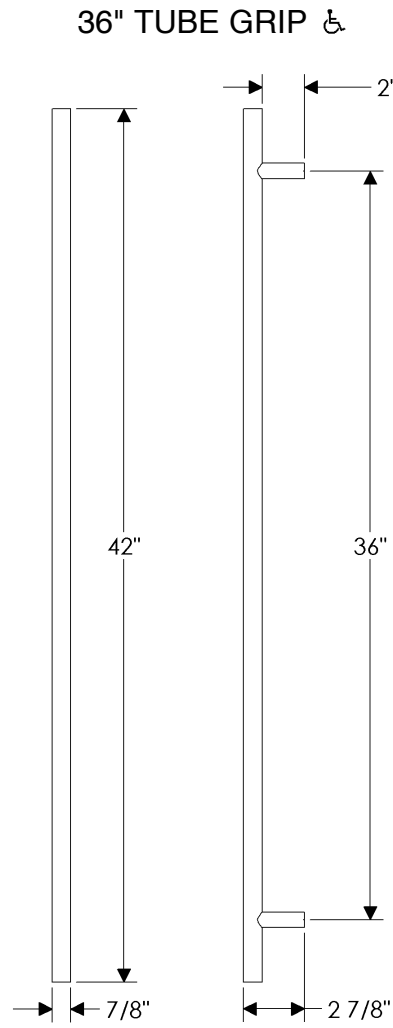
Single ..... \$ 471.00

- All finishes are priced the same.
- Single grips are thru-bolted.
- Specify metal, patina, and door thickness.
- Double grips have back-to-back mounting.

EXTERIOR INTERIOR



G276 G276



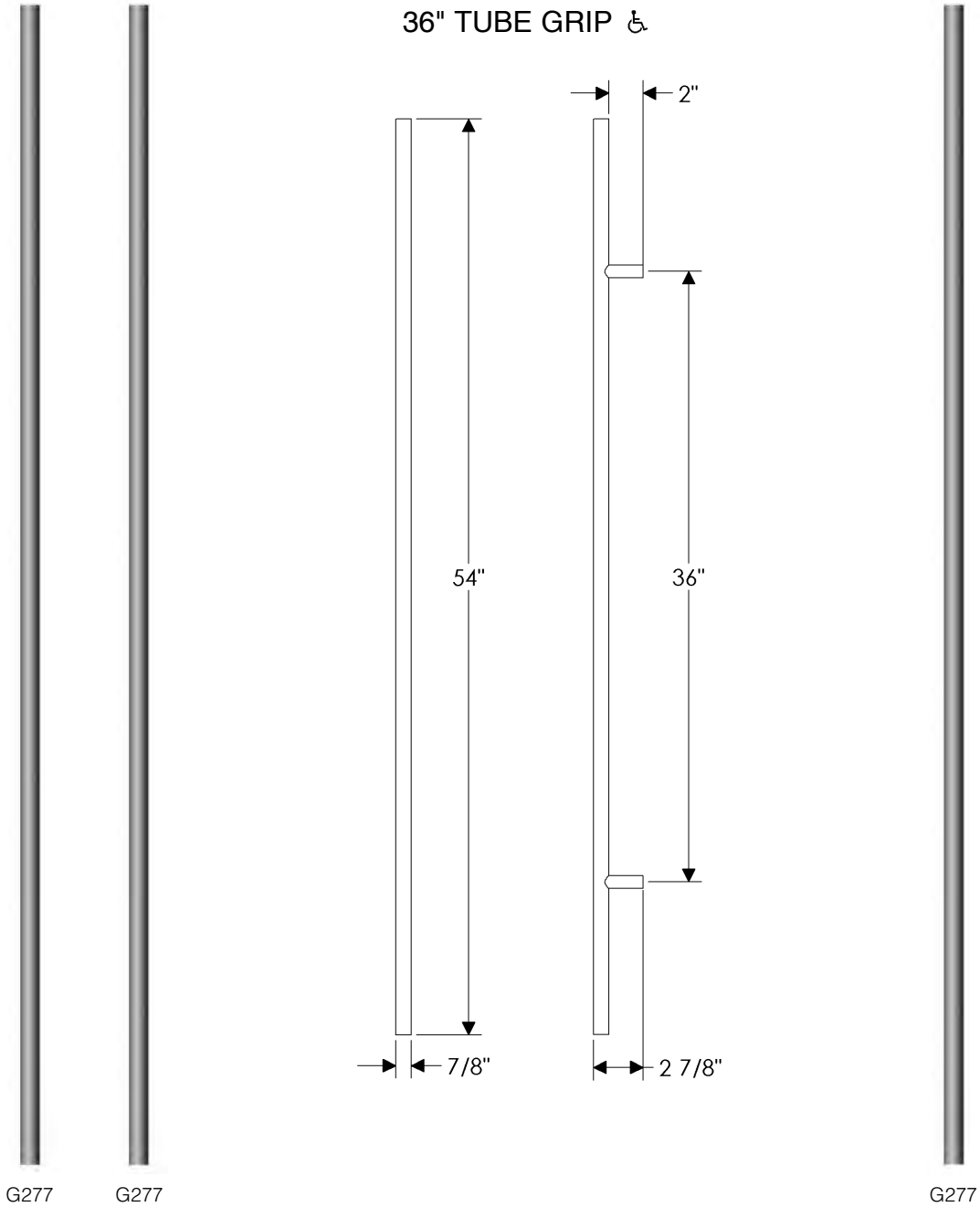
G276

Double ..... \$ 1042.00

Single ..... \$ 507.00

- All finishes are priced the same.
- Single grips are thru-bolted.
- Specify metal, patina, and door thickness.
- Double grips have back-to-back mounting.

EXTERIOR INTERIOR

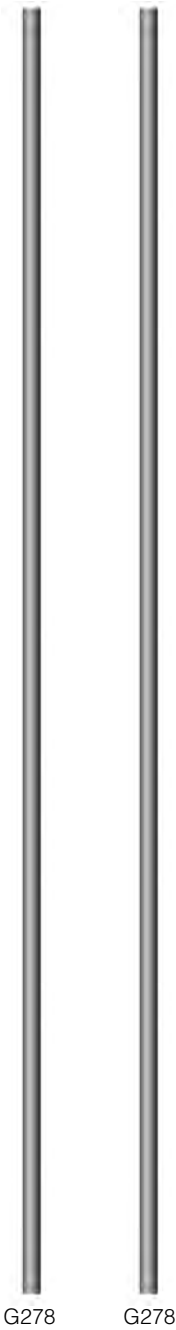


Double ..... \$ 1150.00

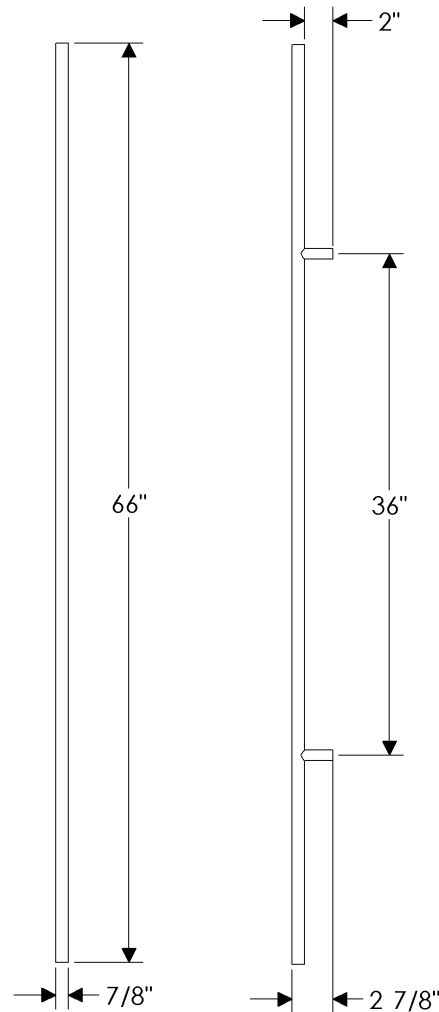
Single ..... \$ 561.00

- All finishes are priced the same.
- Single grips are thru-bolted.
- Specify metal, patina, and door thickness.
- Double grips have back-to-back mounting.

EXTERIOR INTERIOR



36" TUBE GRIP



Double ..... \$ 1390.00

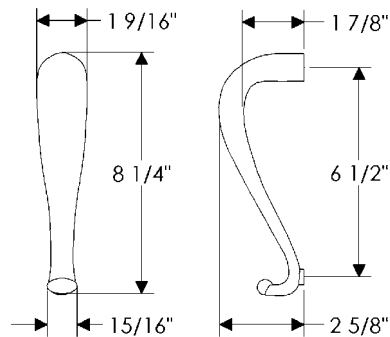
Single ..... \$ 681.00

- All finishes are priced the same.
- Single grips are thru-bolted.
- Specify metal, patina, and door thickness.
- Not available for back-to-back mounting.

EXTERIOR INTERIOR

6 1/2" COBRA GRIP

**Note:** Not available for back-to-back mounting.



G618

Single ..... \$ 336.00



- All finishes are priced the same.
- Single grips are thru-bolted.
- Specify metal, patina, and door thickness.
- Double grips have back-to-back mounting.

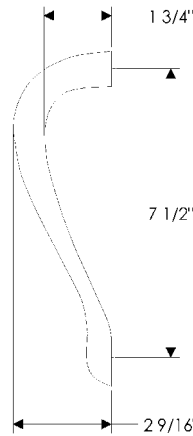
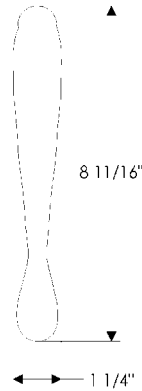
EXTERIOR INTERIOR

7 1/2" GOOSENECK GRIP



G603 G603

Double ..... \$ 699.00



G603

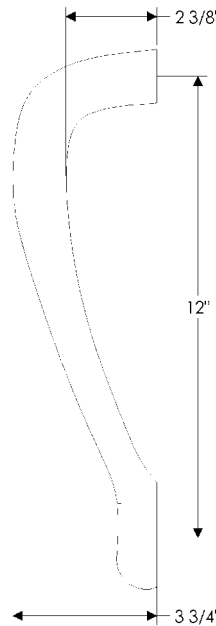
Single ..... \$ 336.00

12" GOOSENECK GRIP



G614 G614

Double ..... \$ 752.00

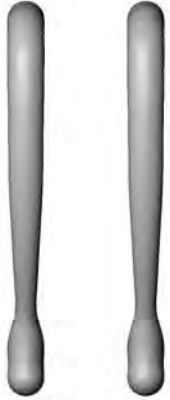


G614

Single ..... \$ 362.00


- All finishes are priced the same.
- Single grips are thru-bolted.
- Specify metal, patina, and door thickness.
- Double grips have back-to-back mounting.

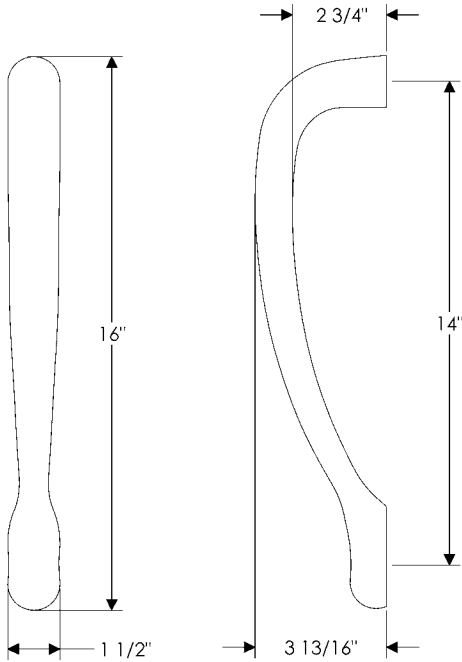
EXTERIOR INTERIOR




G646    G646

Double ..... \$1000.00

**14" GOOSENECK GRIP** 





G646

Single ..... \$

- All finishes are priced the same.
- Single grips are thru-bolted.
- Specify metal, patina, and door thickness.
- Double grips have back-to-back mounting.

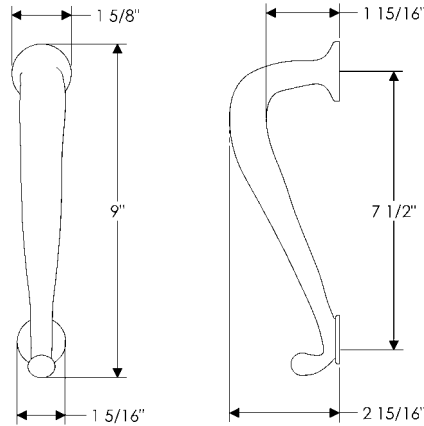
EXTERIOR INTERIOR

7 1/2" SUN VALLEY GRIP



G606 G606

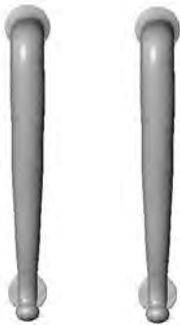
Double ..... \$ 700.00



G606

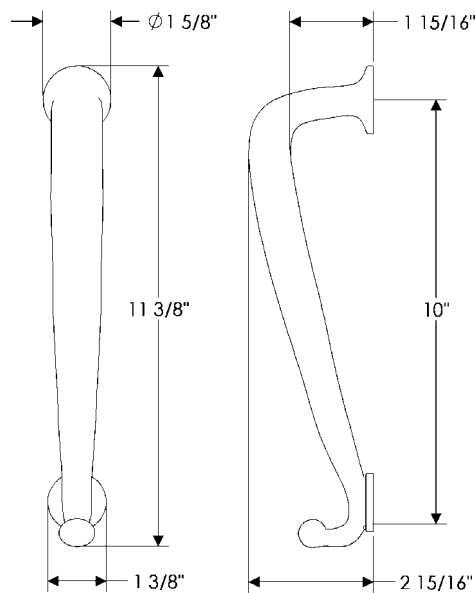
Single ..... \$ 336.00

10" SUN VALLEY GRIP



G607 G607

Double ..... \$ 700.00



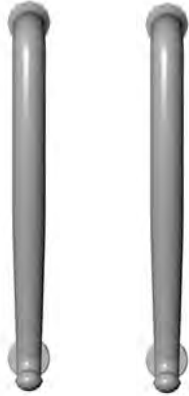
G607

Single ..... \$ 336.00

- All finishes are priced the same.
- Single grips are thru-bolted.
- Specify metal, patina, and door thickness.
- Double grips have back-to-back mounting.

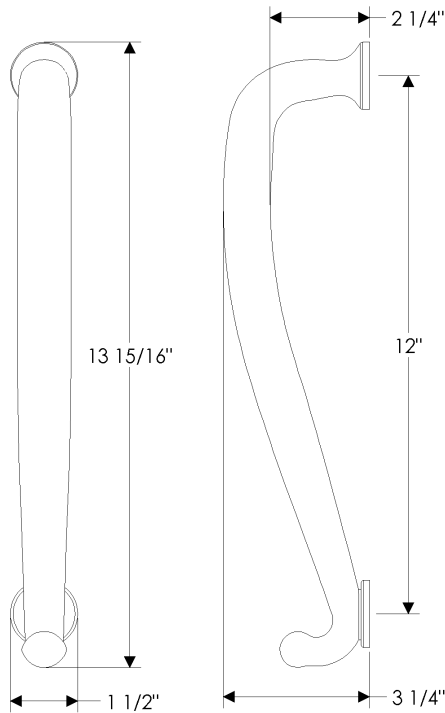
EXTERIOR INTERIOR

12" SUN VALLEY GRIP &



G624 G624

Double ..... \$ 752.00

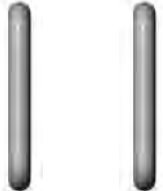


G624

Single ..... \$ 362.00

- All finishes are priced the same.
- Single grips are thru-bolted.
- Specify metal, patina, and door thickness.
- Double grips have back-to-back mounting.

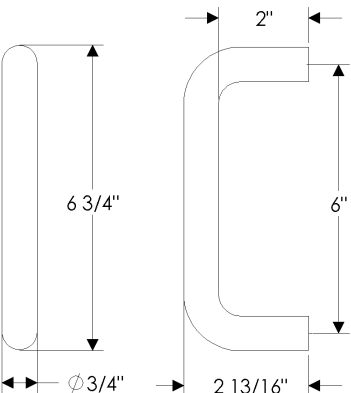
EXTERIOR INTERIOR




DH6 DH6

Double ..... \$ 236.00

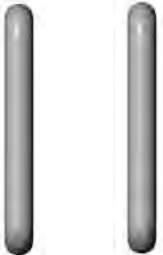
**6" D GRIP** ♿





DH6

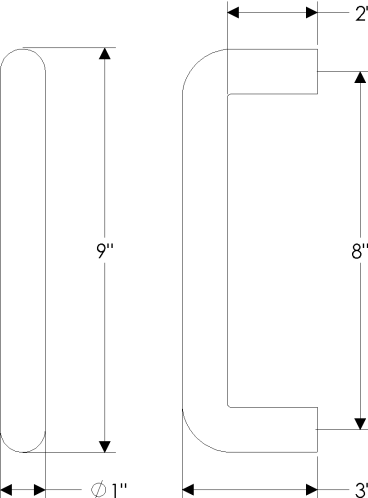
Single ..... \$ 104.00




G609 G609

Double ..... \$ 700.00

**8" D GRIP** ♿





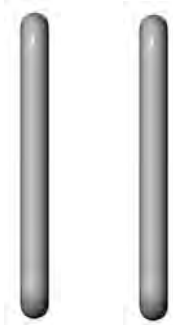
G609

Single ..... \$ 336.00

- All finishes are priced the same.
- Single grips are thru-bolted.
- Specify metal, patina, and door thickness.
- Double grips have back-to-back mounting.

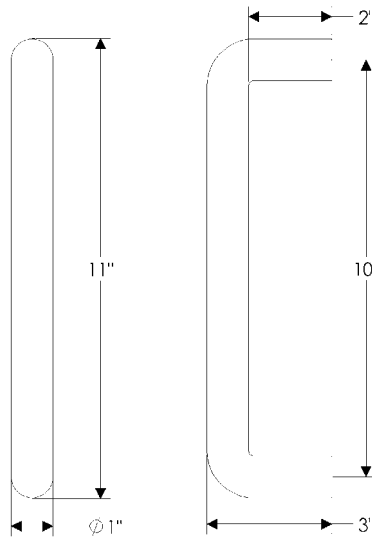
EXTERIOR INTERIOR

10" D GRIP &



G619 G619

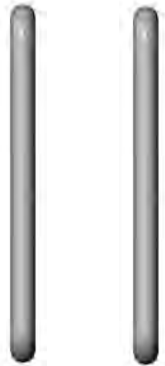
Double ..... \$ 700.00



G619

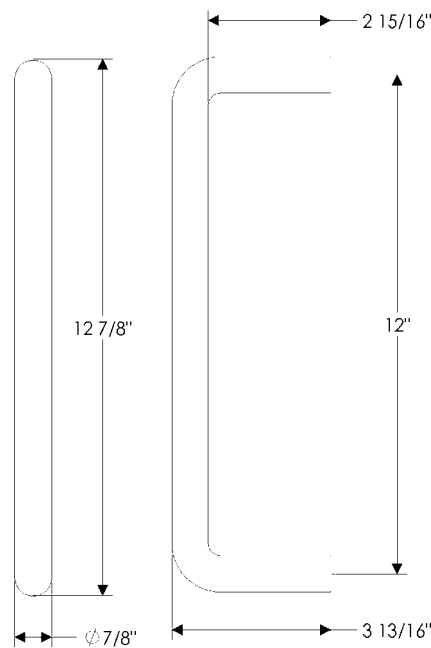
Single ..... \$ 336.00

12" D GRIP &



G628 G628

Double ..... \$ 700.00



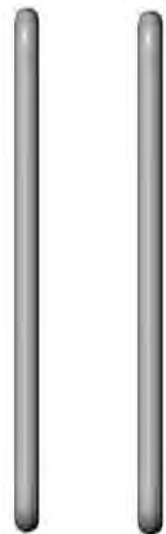
G628

Single ..... \$ 336.00

- All finishes are priced the same.
- Single grips are thru-bolted.
- Specify metal, patina, and door thickness.
- Double grips have back-to-back mounting.

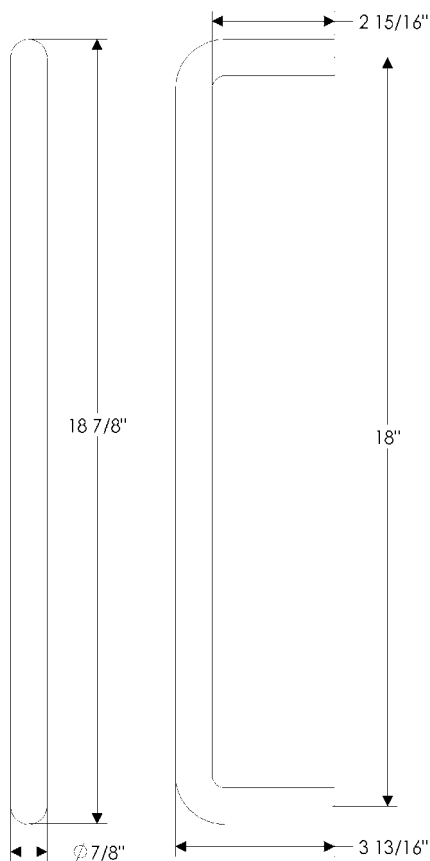
EXTERIOR INTERIOR

18" D GRIP 



G629 G629

Double ..... \$ 700.00

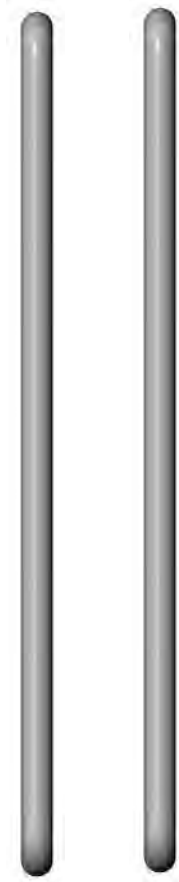


G629

Single ..... \$ 336.00

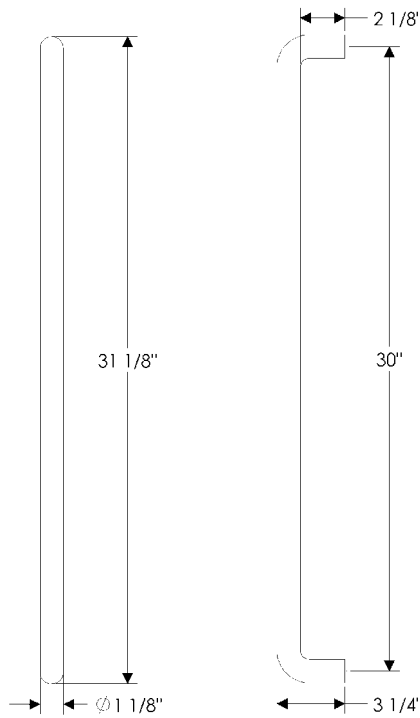
- All finishes are priced the same.
- Single grips are thru-bolted.
- Specify metal, patina, and door thickness.
- Double grips have back-to-back mounting.

EXTERIOR INTERIOR



G636 G636

30" D GRIP &



G636

Double ..... \$ 1044.00

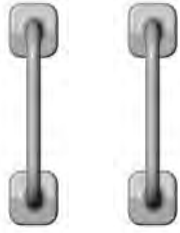
Single ..... \$ 508.00



- All finishes are priced the same.
- Single grips are thru-bolted.
- Specify metal, patina, and door thickness.
- Double grips have back-to-back mounting.

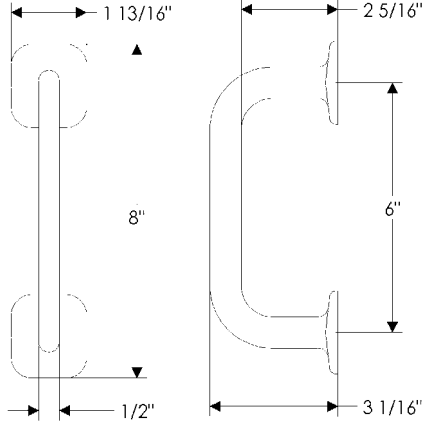
EXTERIOR INTERIOR


**6" SASH GRIP &**



G615      G615

Double ..... \$ 700.00

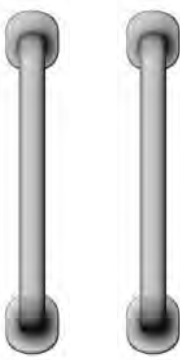




G615

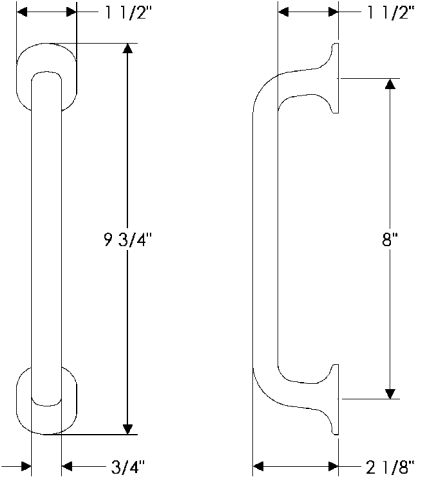
Single ..... \$ 336.00


**8" SASH GRIP**



G611      G611

Double ..... \$ 700.00





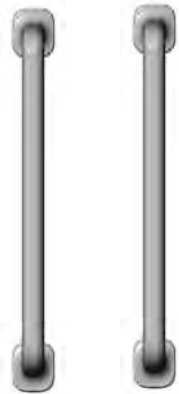
G611

Single ..... \$ 336.00

- All finishes are priced the same.
- Single grips are thru-bolted.
- Specify metal, patina, and door thickness.
- Double grips have back-to-back mounting.

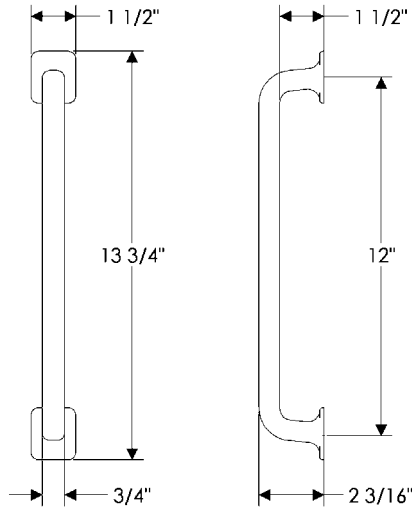
EXTERIOR INTERIOR

12" SASH GRIP



G612 G612

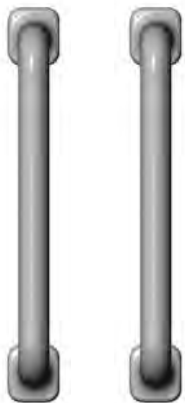
Double ..... \$ 700.00



G612

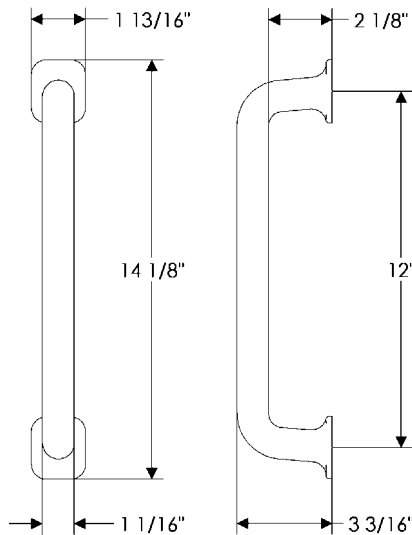
Single ..... \$ 336.00

12" SASH GRIP ♿



G617 G617

Double ..... \$ 700.00



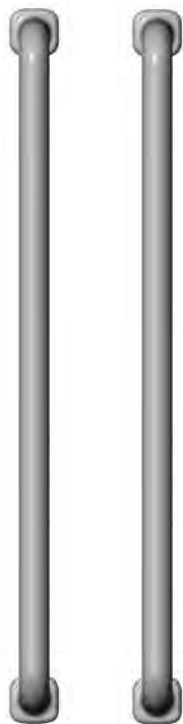
G617

Single ..... \$ 336.00

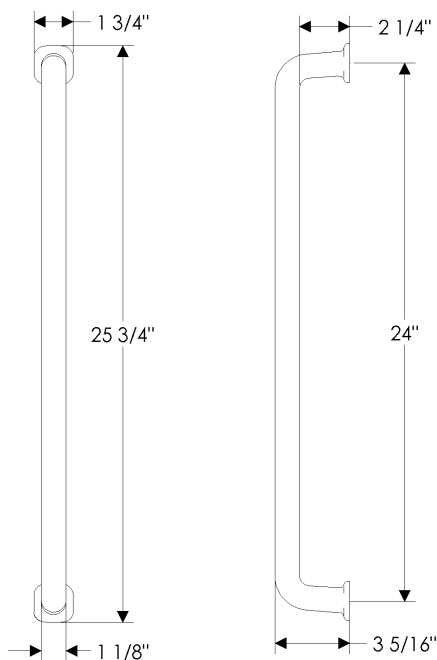
- All finishes are priced the same.
- Single grips are thru-bolted.
- Specify metal, patina, and door thickness.
- Double grips have back-to-back mounting.

EXTERIOR INTERIOR

24" SASH GRIP &



G632 G632



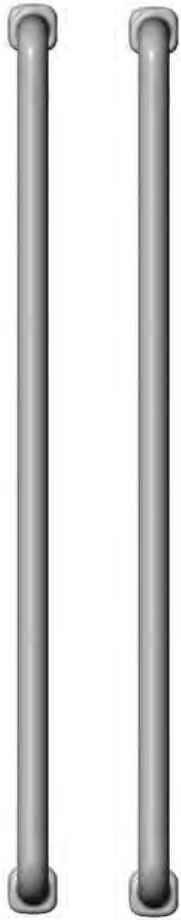
G632

Double ..... \$ 970.00

Single ..... \$ 471.00

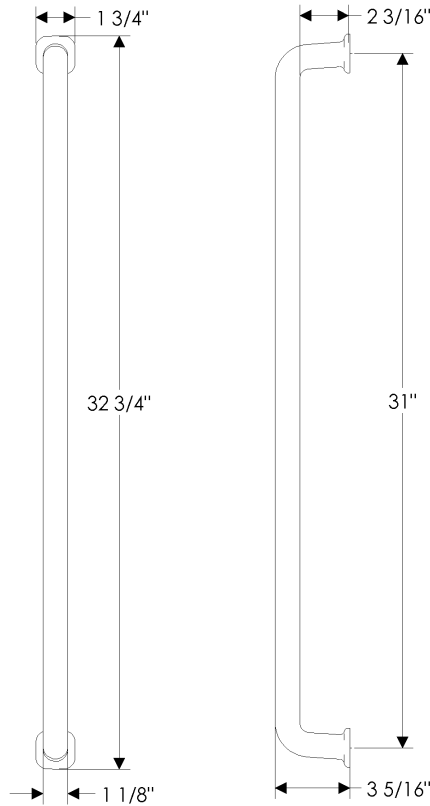
- All finishes are priced the same.
- Single grips are thru-bolted.
- Specify metal, patina, and door thickness.
- Double grips have back-to-back mounting.

EXTERIOR INTERIOR



G634 G634

31" SASH GRIP Ⓢ



G634

Double ..... \$ 1148.00

Single ..... \$ 560.00

- All finishes are priced the same.
- Single grips are thru-bolted.
- Specify metal, patina, and door thickness.
- Double grips have back-to-back mounting.

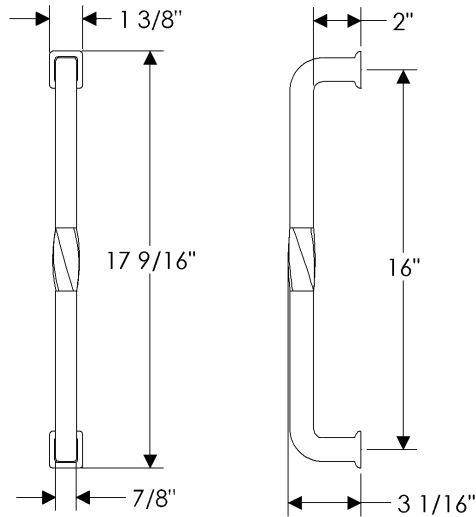
EXTERIOR INTERIOR



G669

G669

16" SASH TWIST GRIP 



G669

Double ..... \$ 752.00

Single ..... \$ 362.00

- All finishes are priced the same.
- Single grips are thru-bolted.
- Specify metal, patina, and door thickness.
- Double grips have back-to-back mounting.

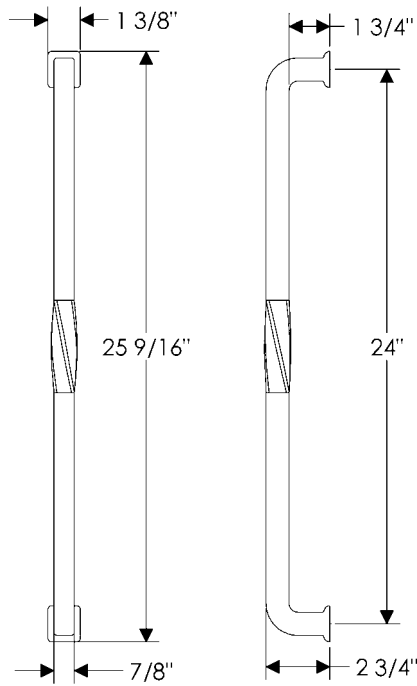
EXTERIOR INTERIOR



G668

G668

24" SASH TWIST GRIP



G668

Double ..... \$ 1238.00

Single ..... \$ 605.00

- All finishes are priced the same.
- Single grips are thru-bolted.
- Specify metal, patina, and door thickness.
- Double grips have back-to-back mounting.

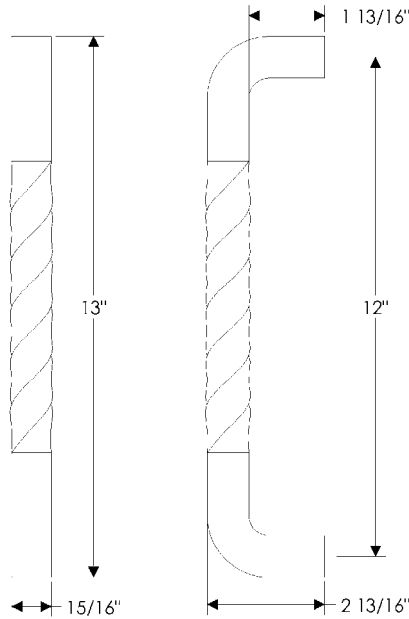
EXTERIOR INTERIOR

12" HELIX GRIP



G631 G631

Double ..... \$ 700.00



G631

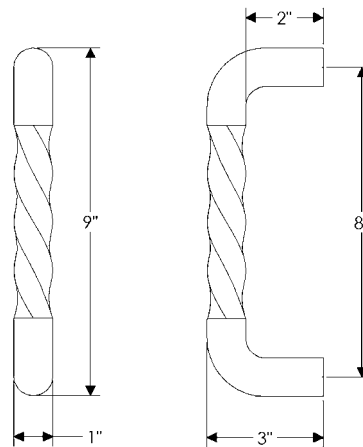
Single ..... \$ 336.00

8" TWISTED D GRIP



G605 G605

Double ..... \$ 700.00



G605

Single ..... \$ 336.00

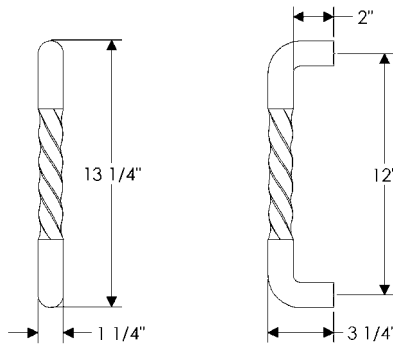
- All finishes are priced the same.
- Single grips are thru-bolted.
- Specify metal, patina, and door thickness.
- Double grips have back-to-back mounting.

EXTERIOR INTERIOR

12" TWISTED D GRIP 



G620 G620



G620

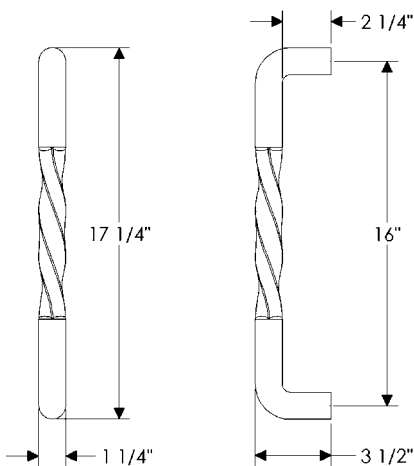
Double ..... \$ 752.00

Single ..... \$ 362.00

16" TWISTED D GRIP 



G676 G676



G676

Double ..... \$ 752.00

Single ..... \$ 362.00



- All finishes are priced the same.
- Single grips are thru-bolted.
- Specify metal, patina, and door thickness.
- Double grips have back-to-back mounting.

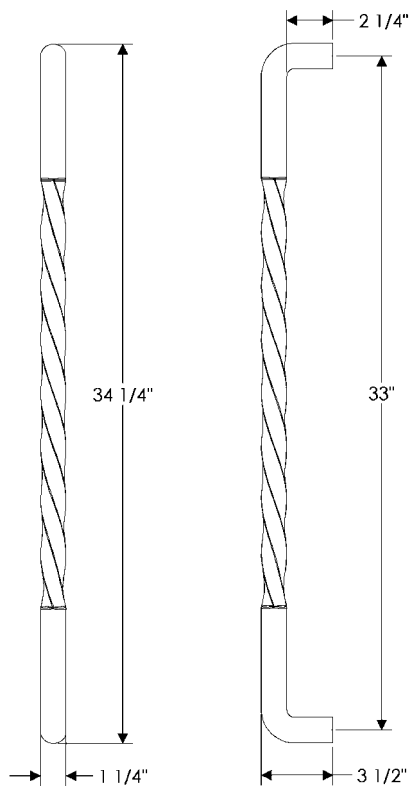
EXTERIOR INTERIOR



G677 G677

Double ..... \$ 1148.00

33" TWISTED D GRIP &



G677

Single ..... \$ 560.00

- All finishes are priced the same.
- Single grips are thru-bolted.
- Specify metal, patina, and door thickness.
- Double grips have back-to-back mounting.

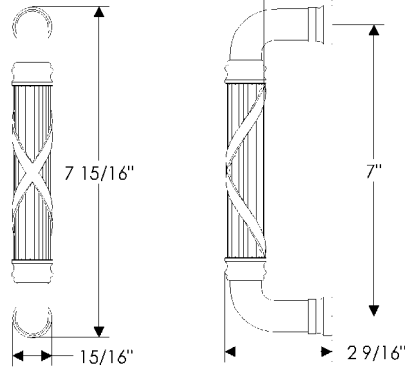
EXTERIOR INTERIOR

7" RIBBON & REED GRIP



G626 G626

Double ..... \$ 700.00



G626

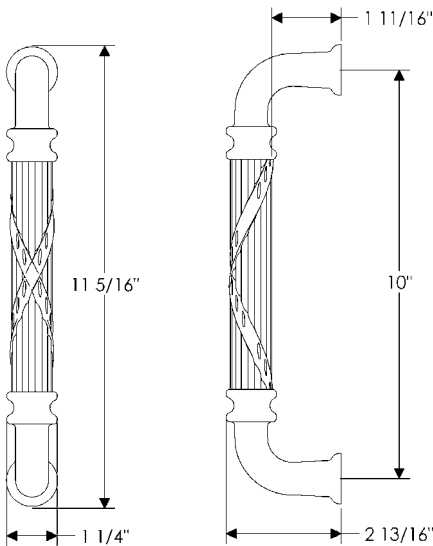
Single ..... \$ 336.00

10" RIBBON & REED GRIP



G622 G622

Double ..... \$ 700.00



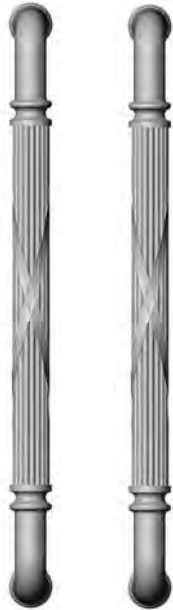
G622

Single ..... \$ 336.00

- All finishes are priced the same.
- Single grips are thru-bolted.
- Specify metal, patina, and door thickness.
- Double grips have back-to-back mounting.

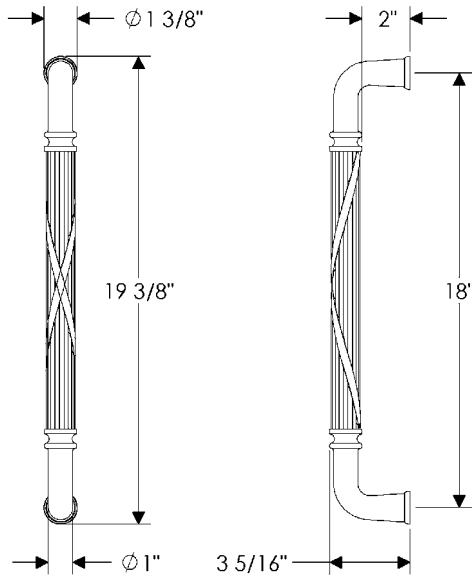
EXTERIOR INTERIOR

18" RIBBON & REED GRIP 



G658

G658



G658

Double ..... \$ 1044.00

Single ..... \$ 508.00

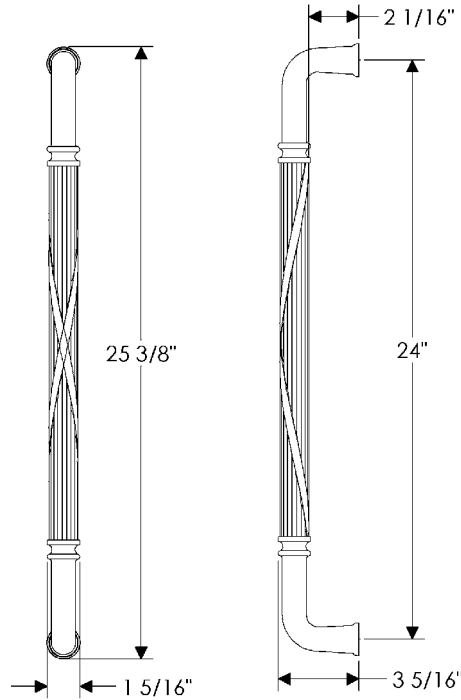
- All finishes are priced the same.
- Single grips are thru-bolted.
- Specify metal, patina, and door thickness.
- Double grips have back-to-back mounting.

EXTERIOR INTERIOR

24" RIBBON & REED GRIP 



G655 G655



G655

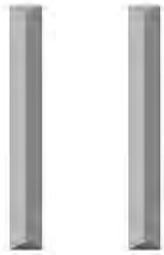
Double ..... \$ 1044.00

Single ..... \$ 508.00

- All finishes are priced the same.
- Single grips are thru-bolted.
- Specify metal, patina, and door thickness.
- Double grips have back-to-back mounting.

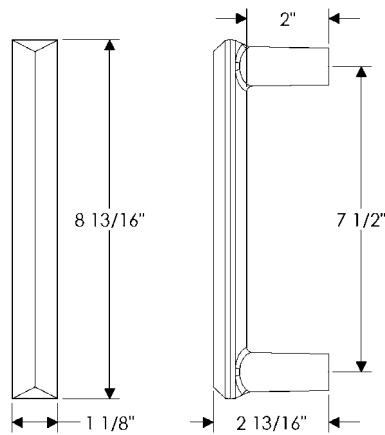
EXTERIOR INTERIOR

7 1/2" MACK GRIP 



G21075 G21075

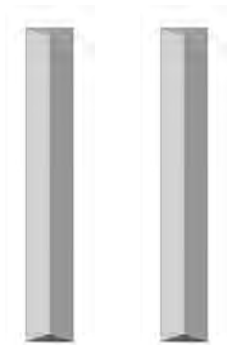
Double ..... \$ 700.00



G21075

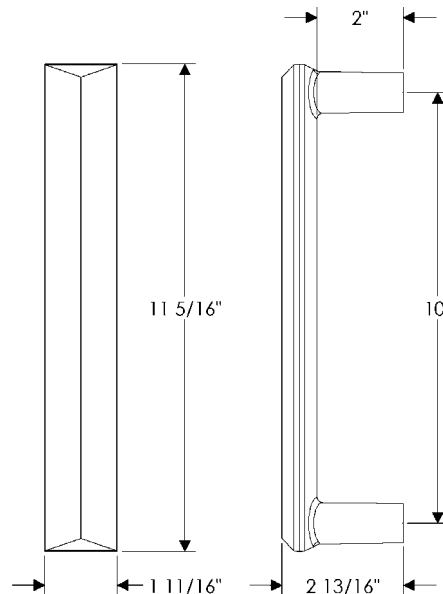
Single ..... \$ 336.00

10" MACK GRIP 



G21010 G21010

Double ..... \$ 700.00



G21010

Single ..... \$ 336.00

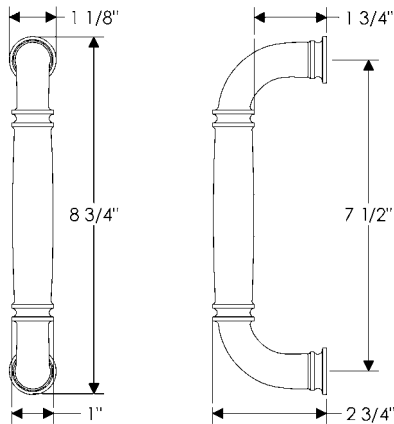
- All finishes are priced the same.
- Single grips are thru-bolted.
- Specify metal, patina, and door thickness.
- Double grips have back-to-back mounting.

EXTERIOR INTERIOR

7 1/2" MADDOX GRIP



Double ..... \$ 700.00

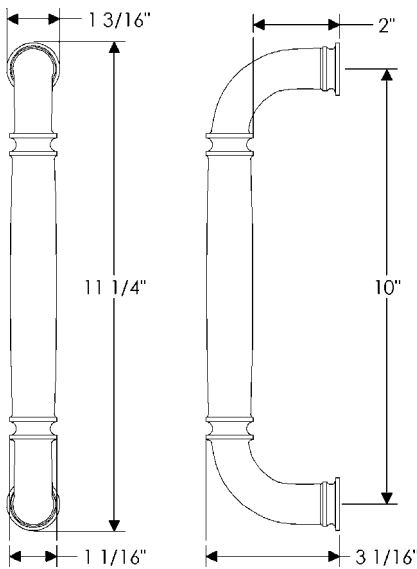


Single ..... \$ 336.00

10" MADDOX GRIP ♿



Double ..... \$ 700.00

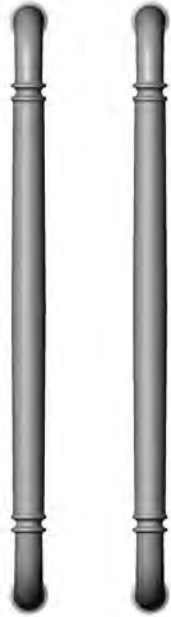


Single ..... \$ 336.00

- All finishes are priced the same.
- Single grips are thru-bolted.
- Specify metal, patina, and door thickness.
- Double grips have back-to-back mounting.

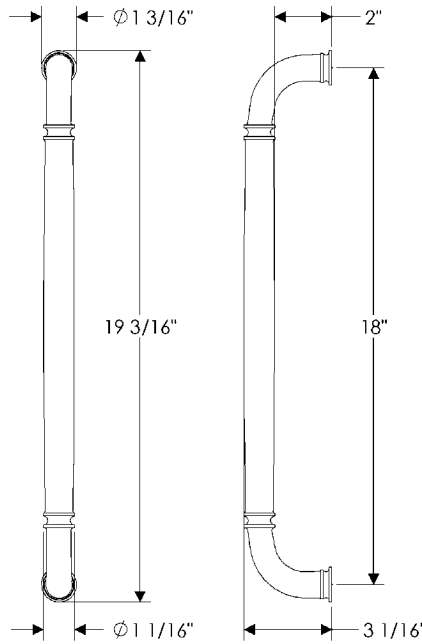
EXTERIOR INTERIOR

18" MADDOX GRIP ♿



G590

G590



G590

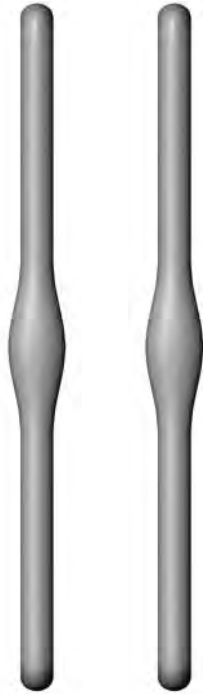
Double ..... \$ 752.00

Single ..... \$ 362.00

- All finishes are priced the same.
- Single grips are thru-bolted.
- Specify metal, patina, and door thickness.
- Double grips have back-to-back mounting.

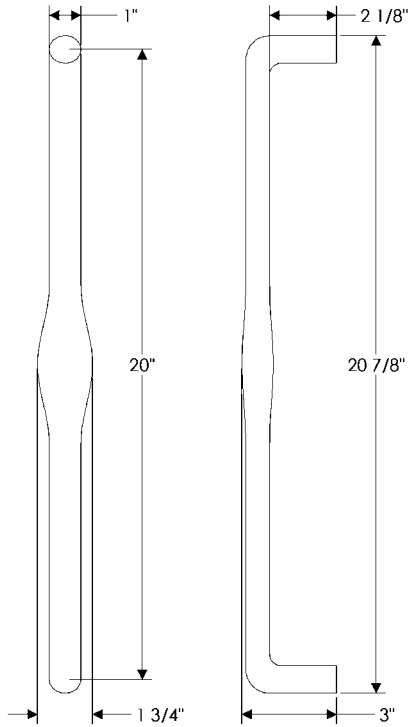
EXTERIOR INTERIOR

20" PROVENCE GRIP 



G372 G372

Double ..... \$ 970.00



G372

Single ..... \$ 471.00

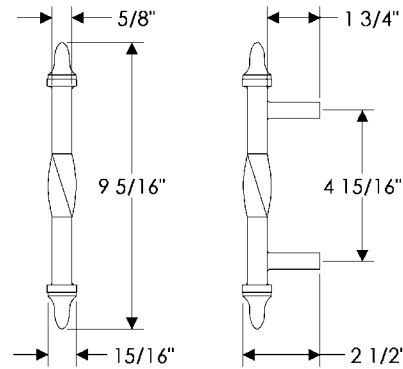


- All finishes are priced the same.
- Single grips are thru-bolted.
- Specify metal, patina, and door thickness.
- This grip (G621) is not available for back-to-back mounting.

EXTERIOR INTERIOR

4 15/16" STEEPLE TWIST GRIP

**Note:** Not available for back-to-back mounting.



G621

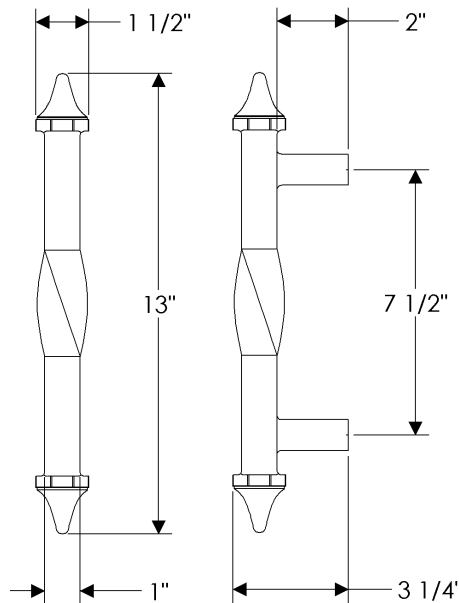
Single ..... \$ 336.00

7 1/2" STEEPLE TWIST GRIP ♿



G750 G750

Double ..... \$ 700.00

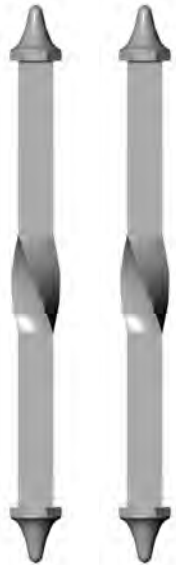


G750

Single ..... \$ 336.00

- All finishes are priced the same.
- Single grips are thru-bolted.
- Specify metal, patina, and door thickness.
- Double grips have back-to-back mounting.

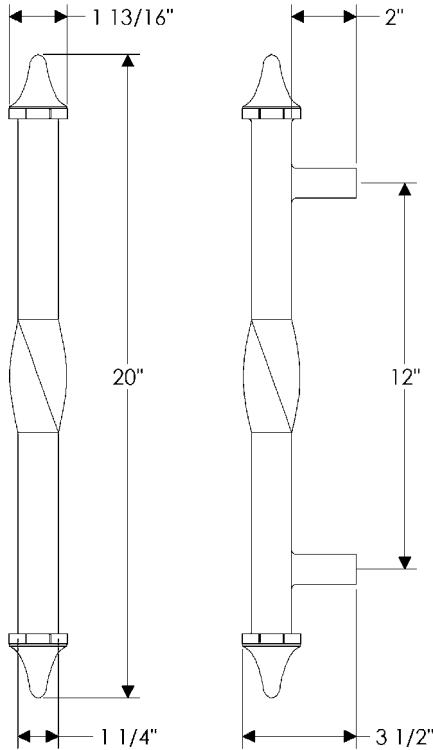
EXTERIOR INTERIOR



G623 G623

Double ..... \$ 978.00

12" STEEPLE TWIST GRIP &



G623

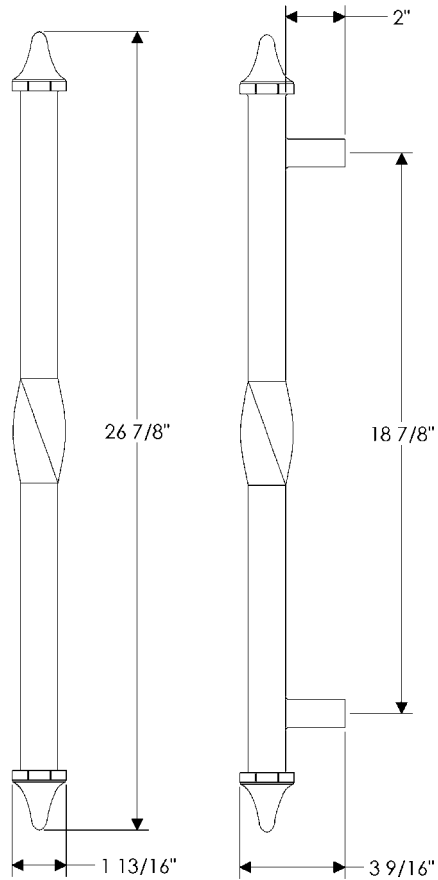
Single ..... \$ 475.00

- All finishes are priced the same.
- Single grips are thru-bolted.
- Specify metal, patina, and door thickness.
- Double grips have back-to-back mounting.

EXTERIOR INTERIOR



18 7/8" STEEPLE TWIST GRIP 




Double ..... \$ 1460.00

Single ..... \$ 716.00


- All finishes are priced the same.
- Single grips are thru-bolted.
- Specify metal, patina, and door thickness.
- Double grips have back-to-back mounting.

EXTERIOR INTERIOR

**10 1/4" RING GRIP **

G625
G625

Double ..... \$ 700.00

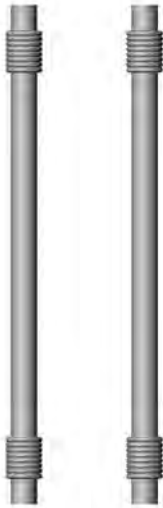
10 1/4" RING GRIP 

G625
G625

Single ..... \$ 336.00

- All finishes are priced the same.
- Single grips are thru-bolted.
- Specify metal, patina, and door thickness.
- Double grips have back-to-back mounting.

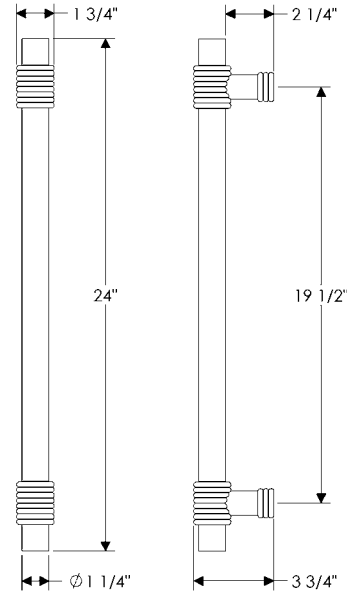
EXTERIOR INTERIOR



G633 G633

Double ..... \$ 1667.00

19 1/2" RING GRIP ♿



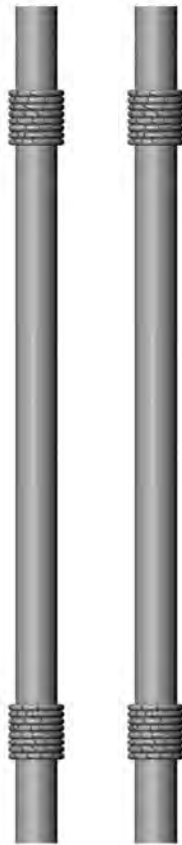
G633

Single ..... \$ 812.00

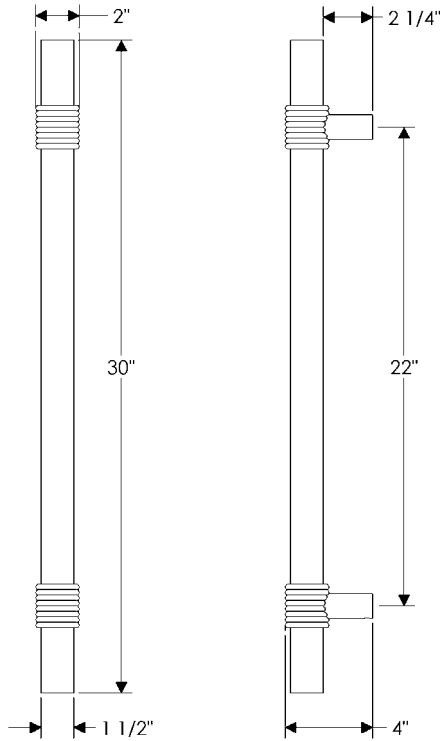
- All finishes are priced the same.
- Single grips are thru-bolted.
- Specify metal, patina, and door thickness.
- Double grips have back-to-back mounting.

EXTERIOR INTERIOR

22" LASH GRIP 



G627 G627



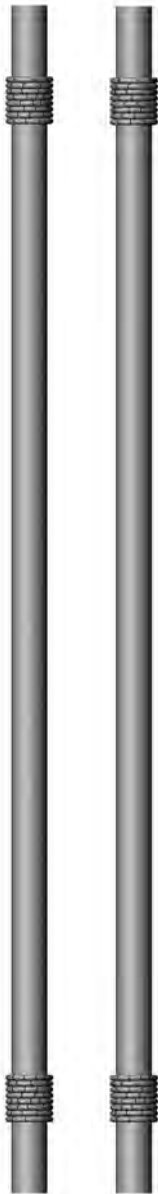
G627

Double ..... \$ 1431.00

Single ..... \$ 694.00

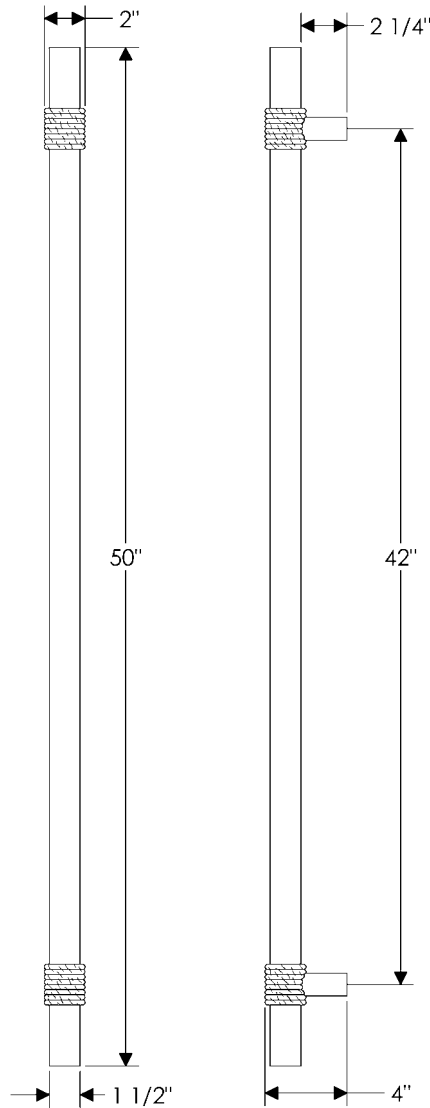
- All finishes are priced the same.
- Single grips are thru-bolted.
- Specify metal, patina, and door thickness.
- Double grips have back-to-back mounting.

EXTERIOR INTERIOR



G654 G654

42" LASH GRIP ♿



G654

Double ..... \$ 2417.00

Single ..... \$ 1187.00

- All finishes are priced the same.
- Single grips are thru-bolted.
- Specify metal, patina, and door thickness.
- Double grips have back-to-back mounting.

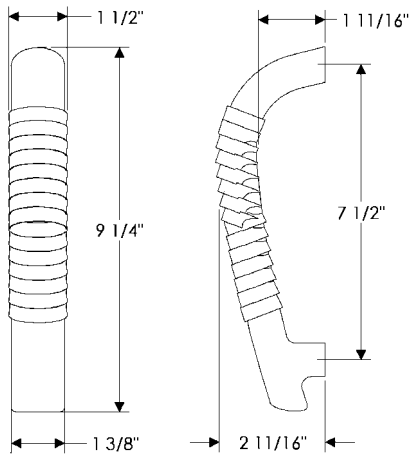
EXTERIOR INTERIOR

7 1/2" LARIAT GRIP



G637 G637

Double ..... \$ 700.00



G637

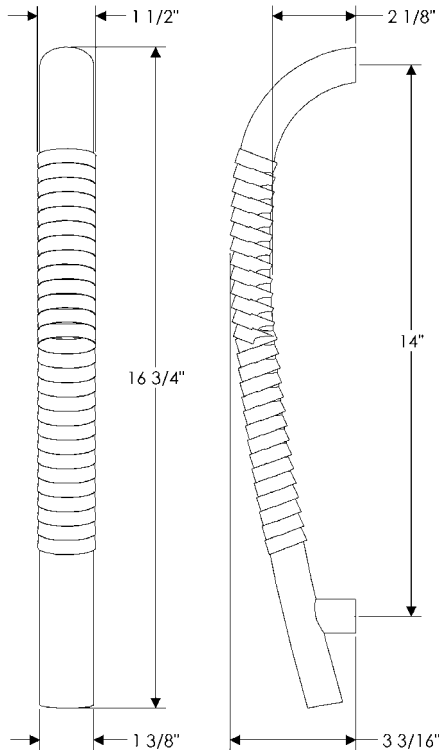
Single ..... \$ 336.00

14" LARIAT GRIP &



G635 G635

Double ..... \$ 1000.00



G635

Single ..... \$ 486.00



- All finishes are priced the same.
- Single grips are thru-bolted.
- Specify metal, patina, and door thickness.
- Double grips have back-to-back mounting.

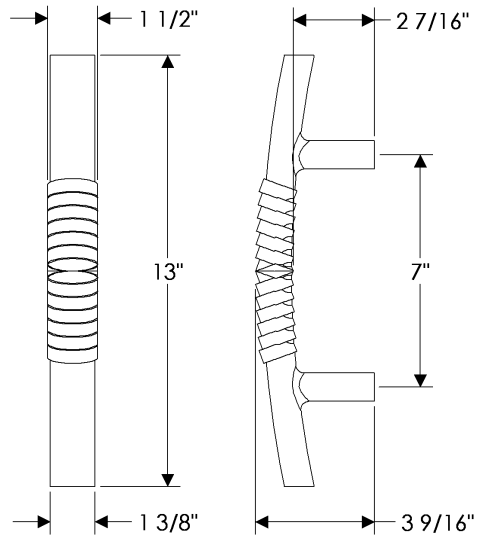
EXTERIOR INTERIOR

7" LARIAT GRIP &



G638 G638

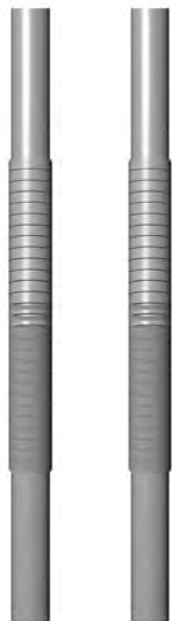
Double ..... \$ 752.00



G638

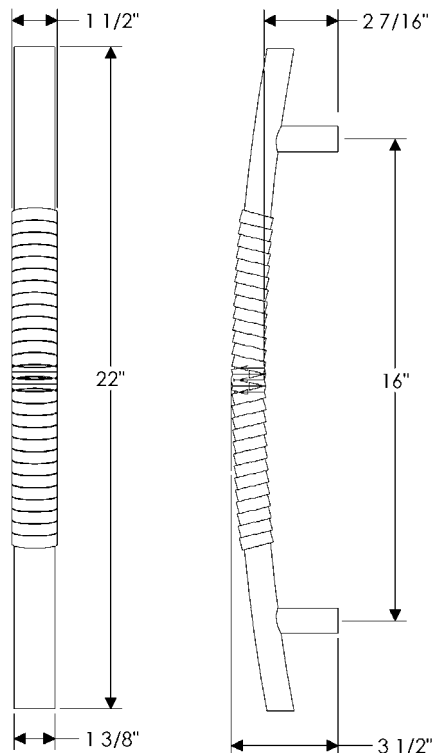
Single ..... \$ 362.00

16" LARIAT GRIP &



G640 G640

Double ..... \$ 970.00



G640

Single ..... \$ 471.00

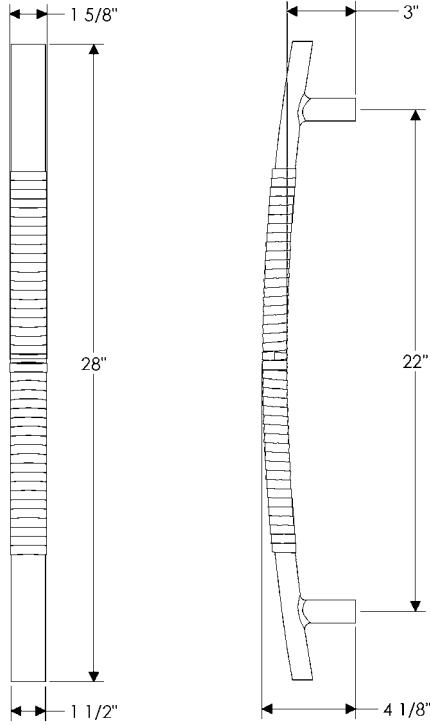
- All finishes are priced the same.
- Single grips are thru-bolted.
- Specify metal, patina, and door thickness.
- Double grips have back-to-back mounting.

EXTERIOR INTERIOR

22" LARIAT GRIP 



G643 G643



G643

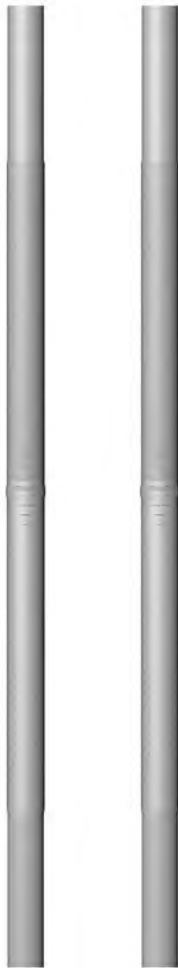
Double ..... \$ 1149.00

Single ..... \$ 553.00

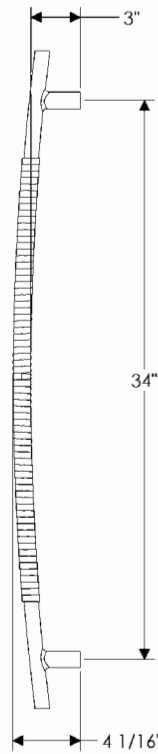
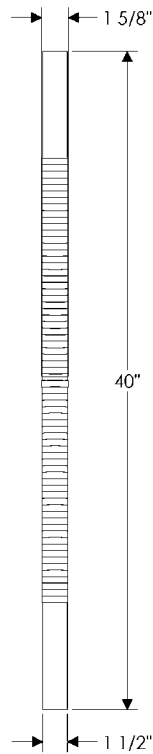
- All finishes are priced the same.
- Single grips are thru-bolted.
- Specify metal, patina, and door thickness.
- Double grips have back-to-back mounting.

EXTERIOR INTERIOR

34" LARIAT GRIP 



G647 G647




G647

Double ..... \$ 1780.00

Single ..... \$ 865.00

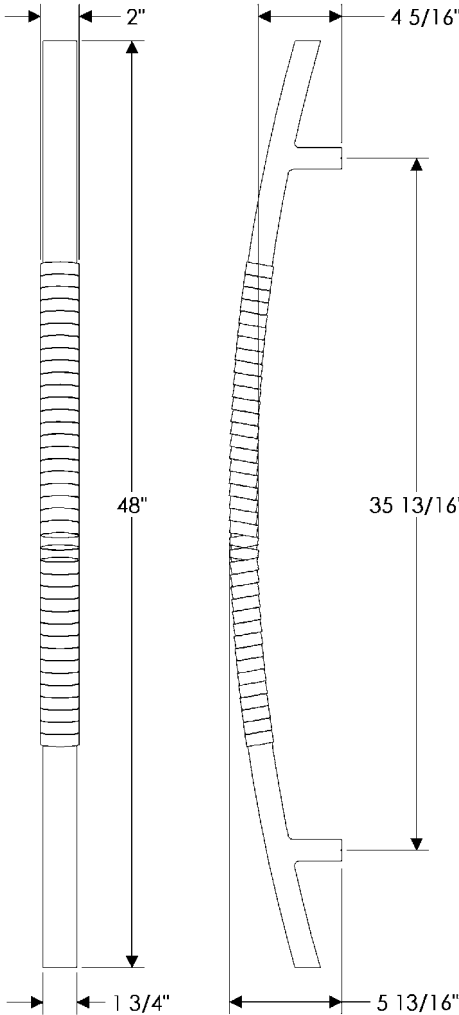
- All finishes are priced the same.
- Single grips are thru-bolted.
- Specify metal, patina, and door thickness.
- Double grips have back-to-back mounting.


EXTERIOR INTERIOR



G670    G670

**35 13/16" LARIAT GRIP** ♿





G670

Double ..... \$ 1780.00

Single ..... \$ 865.00

- All finishes are priced the same.
- Single grips are thru-bolted.
- Specify metal, patina, and door thickness.
- Double grips have back-to-back mounting.

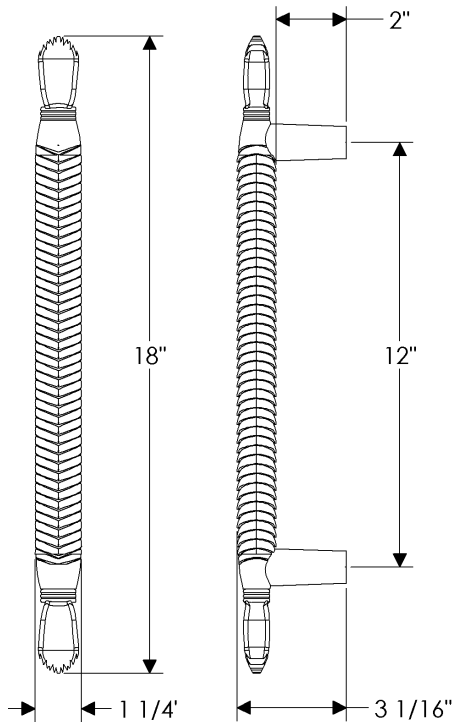
EXTERIOR INTERIOR

12" BRAIDED GRIP 



G673 G673

Double ..... \$ 1251.00



G673

Single ..... \$ 604.00

- All finishes are priced the same.
- Single grips are thru-bolted.
- Specify metal, patina, and door thickness.
- Double grips have back-to-back mounting.

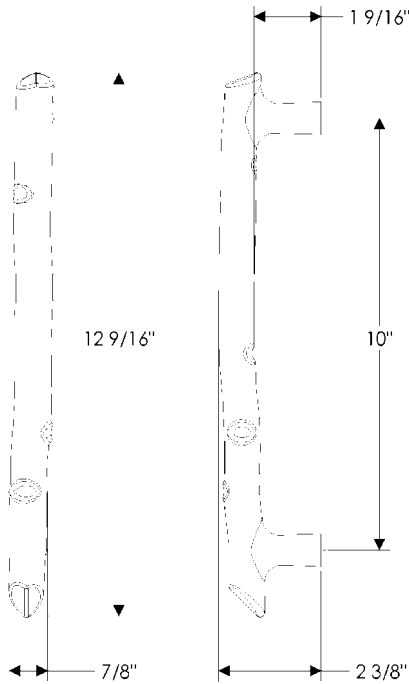
EXTERIOR INTERIOR

10" BRANCH GRIP



G608 G608

Double ..... \$ 700.00



G608

Single ..... \$ 336.00

- All finishes are priced the same.
- Single grips are thru-bolted.
- Specify metal, patina, and door thickness.
- Double grips have back-to-back mounting.

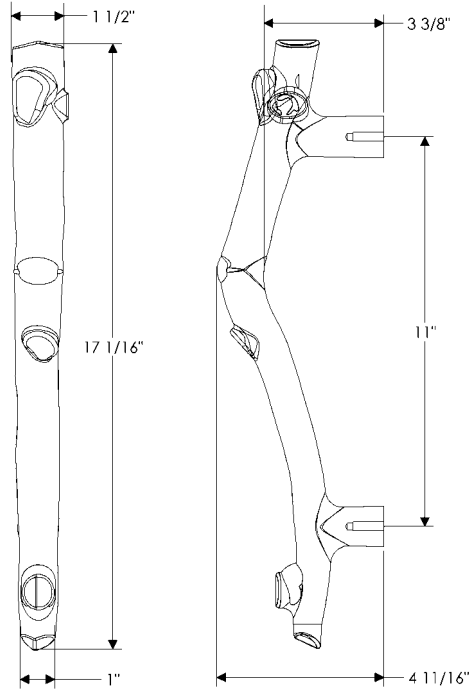
EXTERIOR INTERIOR

11" BRANCH GRIP 



G610 G610

Double ..... \$ 752.00



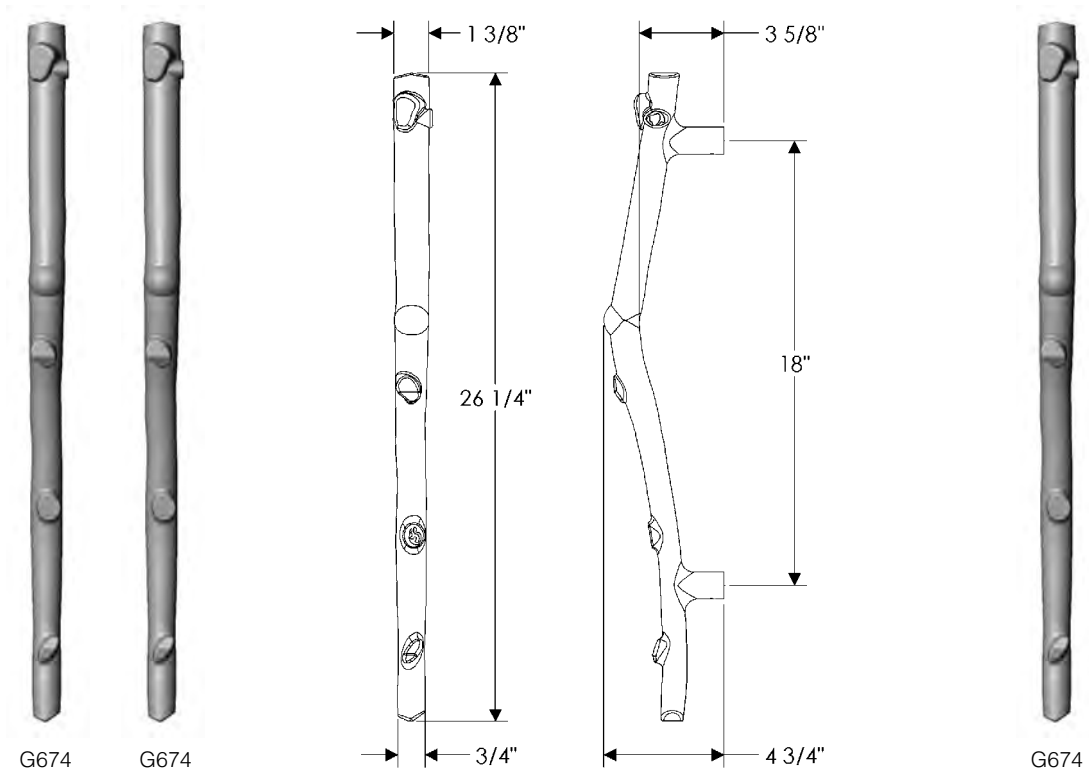
G610

Single ..... \$ 362.00

- All finishes are priced the same.
- Single grips are thru-bolted.
- Specify metal, patina, and door thickness.
- Double grips have back-to-back mounting.

EXTERIOR INTERIOR

18" BRANCH GRIP 



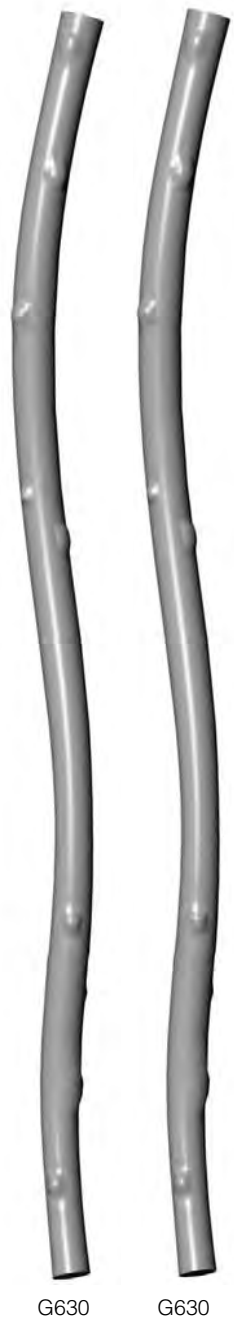
Double ..... \$ 1253.00

Single ..... \$ 605.00



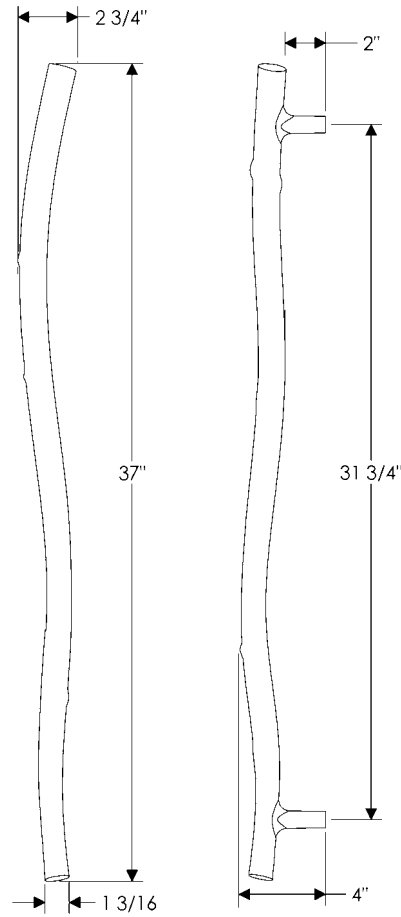
- All finishes are priced the same.
- Single grips are thru-bolted.
- Specify metal, patina, and door thickness.
- Double grips have back-to-back mounting.

EXTERIOR INTERIOR



G630 G630

31 3/4" BRANCH GRIP &



G630

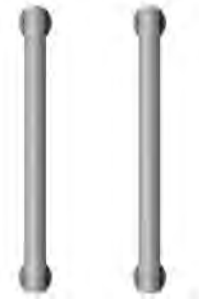
Double ..... \$ 1253.00

Single ..... \$ 605.00

- All finishes are priced the same.
- Single grips are thru-bolted.
- Specify metal, patina, and door thickness.
- Double grips have back-to-back mounting.

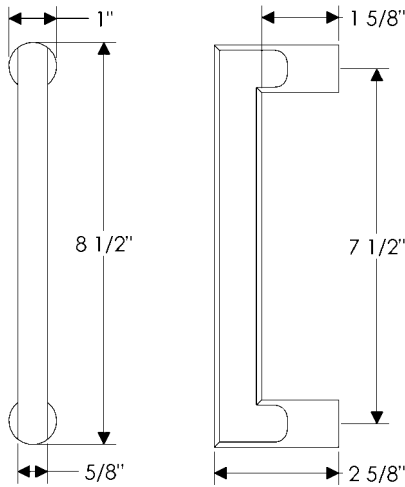
EXTERIOR INTERIOR

7 1/2" OLYMPUS GRIP



G650 G650

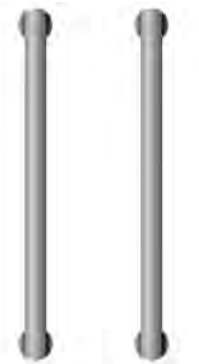
Double ..... \$ 700.00



G650

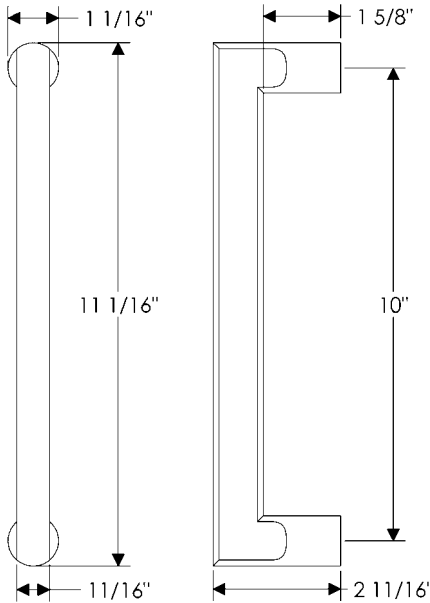
Single ..... \$ 336.00

10" OLYMPUS GRIP



G651 G651

Double ..... \$ 700.00



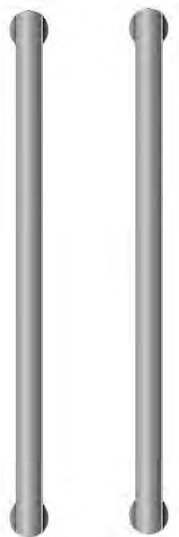
G651

Single ..... \$ 336.00

- All finishes are priced the same.
- Single grips are thru-bolted.
- Specify metal, patina, and door thickness.
- Double grips have back-to-back mounting.

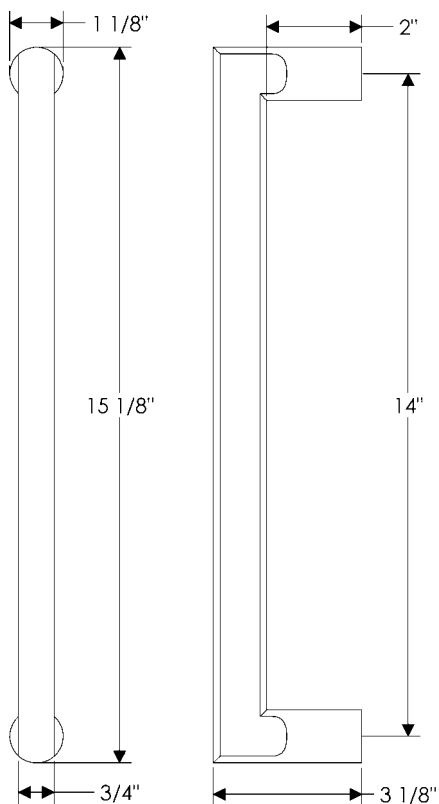
EXTERIOR INTERIOR

14" OLYMPUS GRIP 



G652 G652

Double ..... \$ 752.00



G652

Single ..... \$ 362.00

- All finishes are priced the same.
- Single grips are thru-bolted.
- Specify metal, patina, and door thickness.
- Double grips have back-to-back mounting.

EXTERIOR INTERIOR

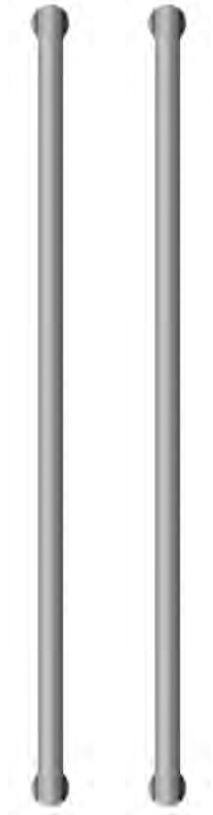
**15" OLYMPUS GRIP &**

Double ..... \$ 752.00
Single ..... \$ 362.00

- All finishes are priced the same.
- Single grips are thru-bolted.
- Specify metal, patina, and door thickness.
- Double grips have back-to-back mounting.

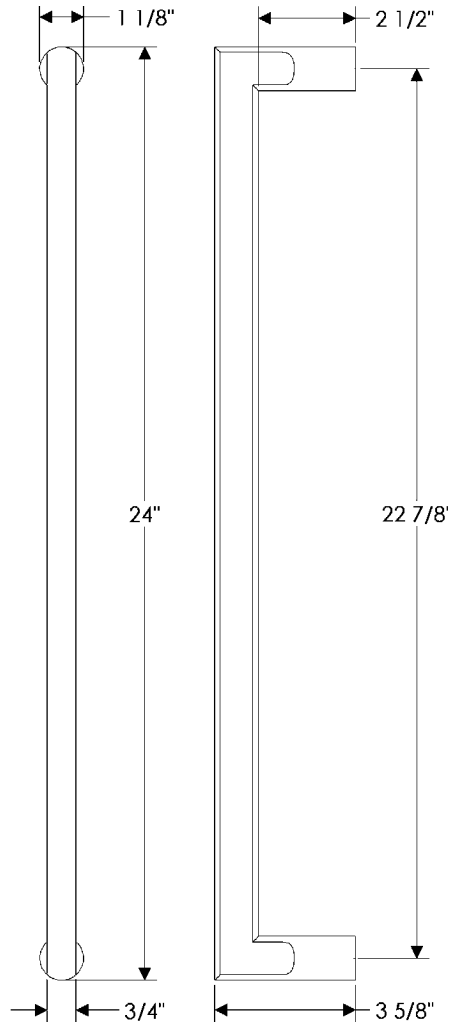
EXTERIOR INTERIOR

22 7/8" OLYMPUS GRIP 



G653 G653

Double ..... \$ 1044.00



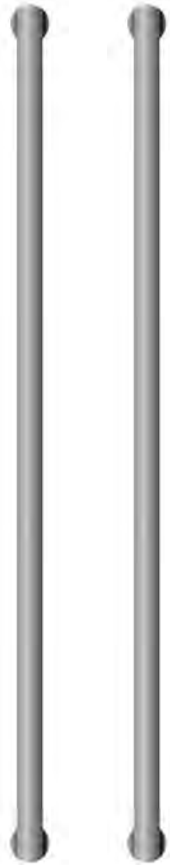
G653

Single ..... \$ 508.00

- All finishes are priced the same.
- Single grips are thru-bolted.
- Specify metal, patina, and door thickness.
- Double grips have back-to-back mounting.

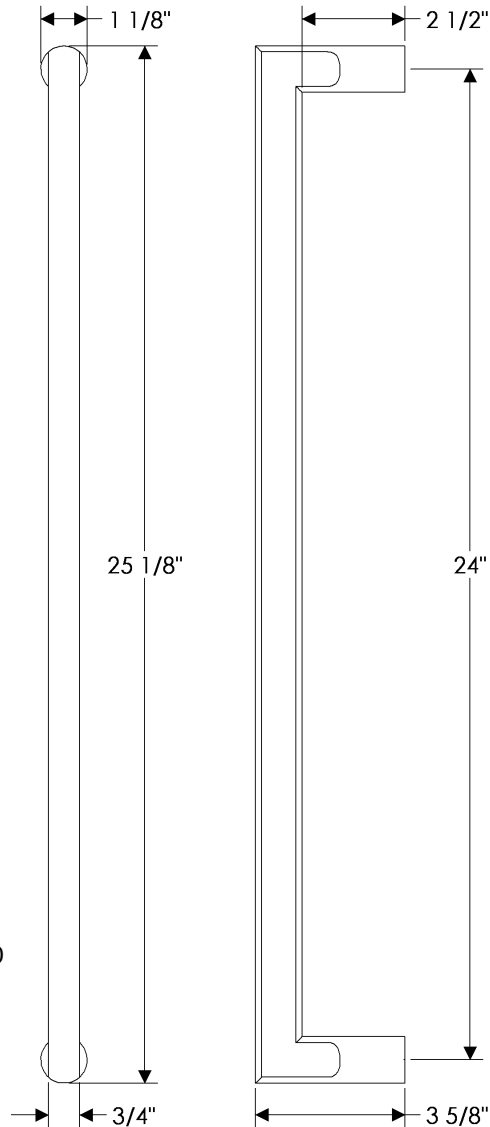
EXTERIOR INTERIOR

24" OLYMPUS GRIP 



G657 G657

Double ..... \$ 1044.00



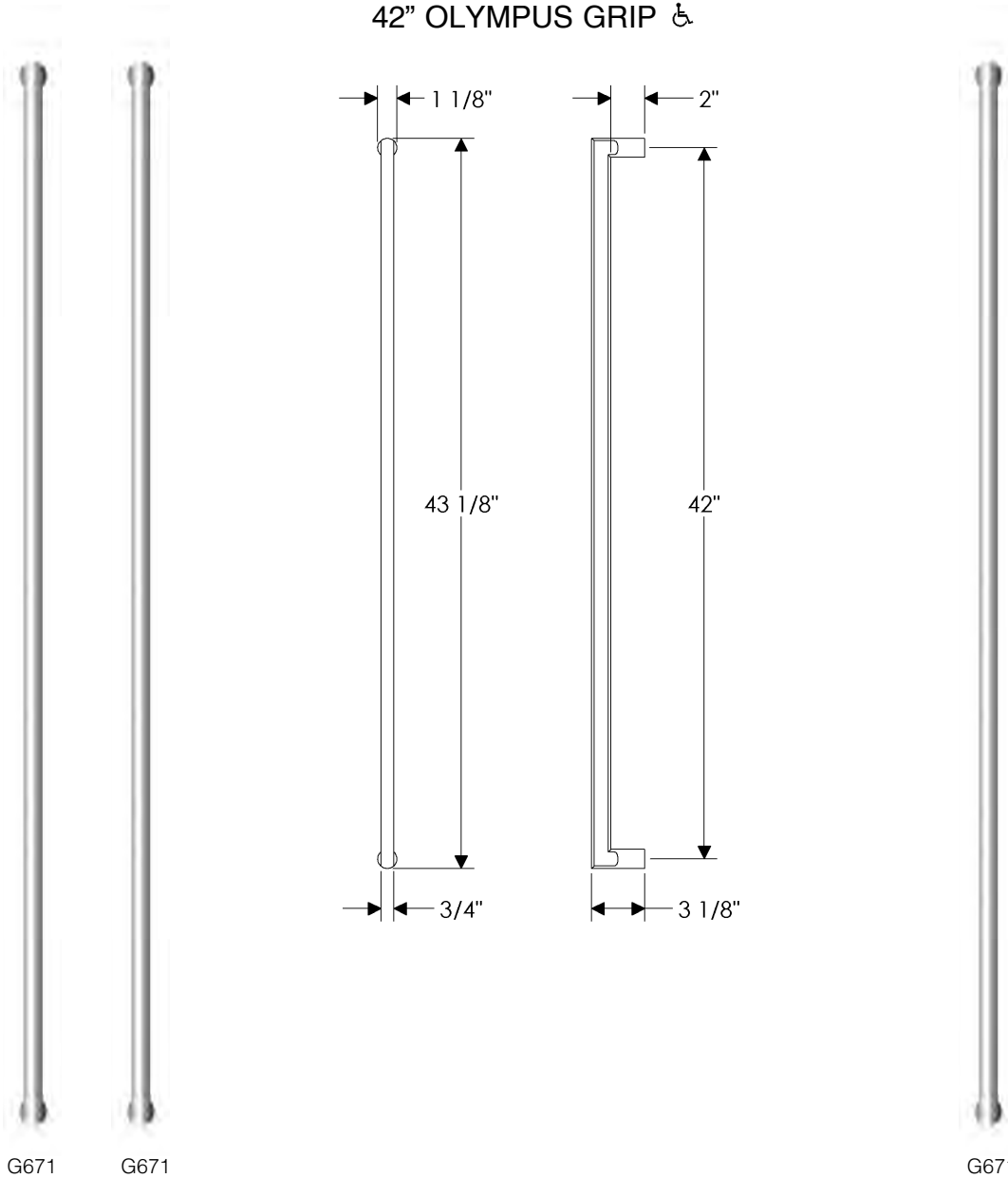
G657

Single ..... \$ 508.00

- All finishes are priced the same.
- Single grips are thru-bolted.
- Specify metal, patina, and door thickness.
- Double grips have back-to-back mounting.

EXTERIOR INTERIOR

42" OLYMPUS GRIP 



G671 G671

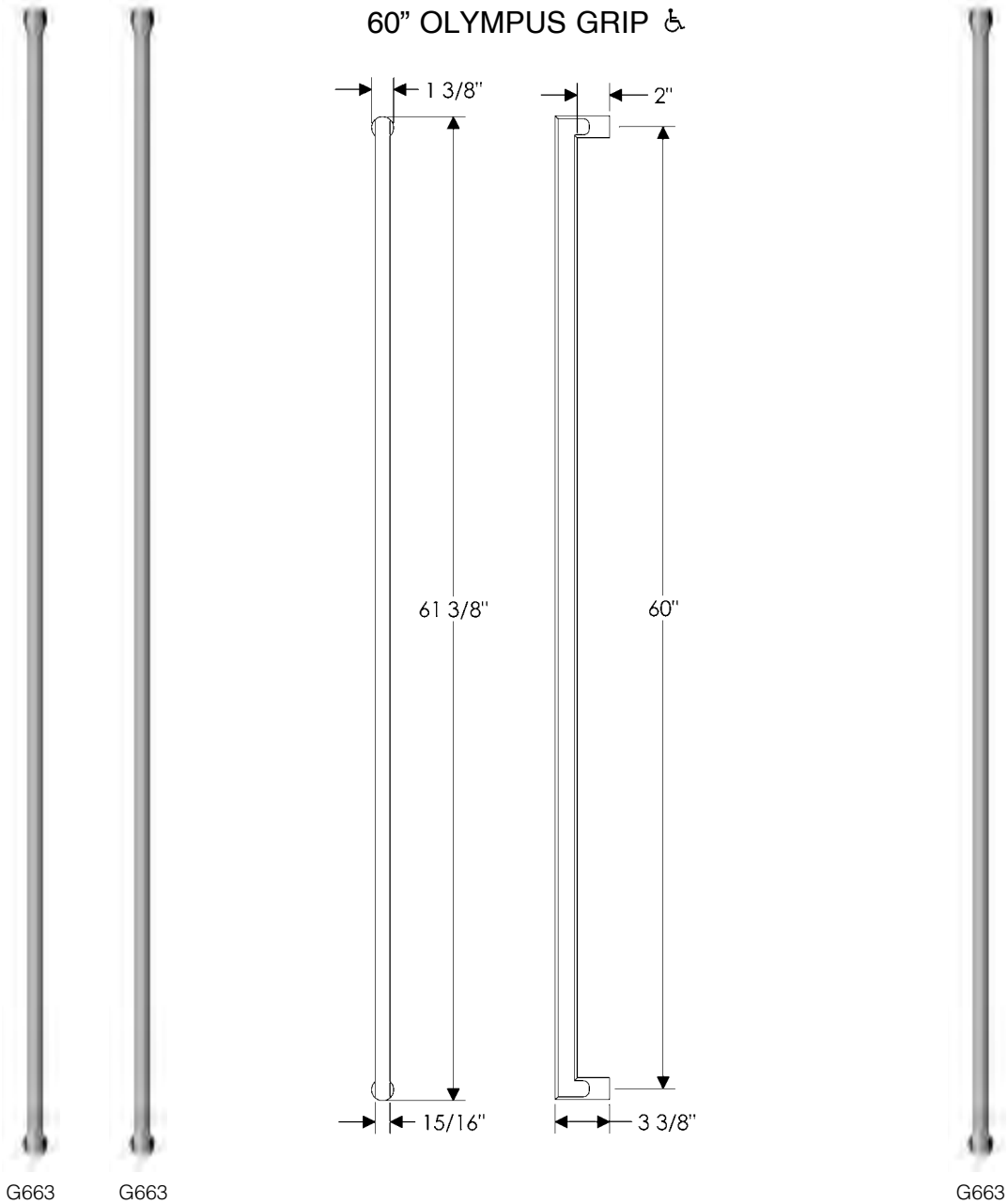
G671

Double ..... \$ 1416.00

Single ..... \$ 694.00

- All finishes are priced the same.
- Single grips are thru-bolted.
- Specify metal, patina, and door thickness.
- Double grips have back-to-back mounting.

EXTERIOR INTERIOR



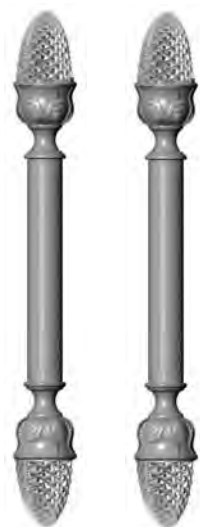
Double ..... \$ 2433.00

Single ..... \$ 1195.00



- All finishes are priced the same.
- Single grips are thru-bolted.
- Specify metal, patina, and door thickness.
- Double grips have back-to-back mounting.

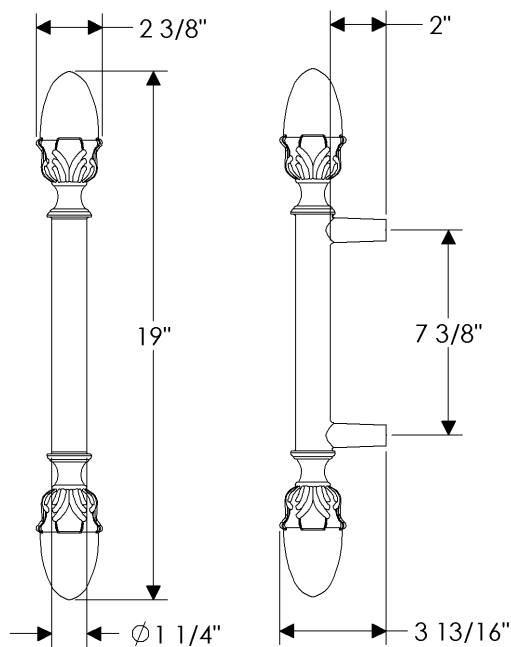
EXTERIOR INTERIOR



G660 G660

Double ..... \$ 1038.00

7 3/8" ACORN GRIP ⚠

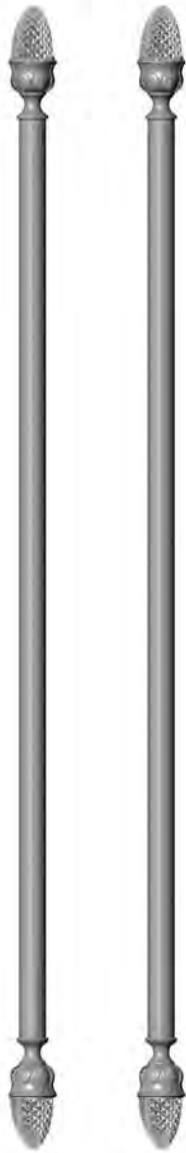


G660

Single ..... \$ 505.00

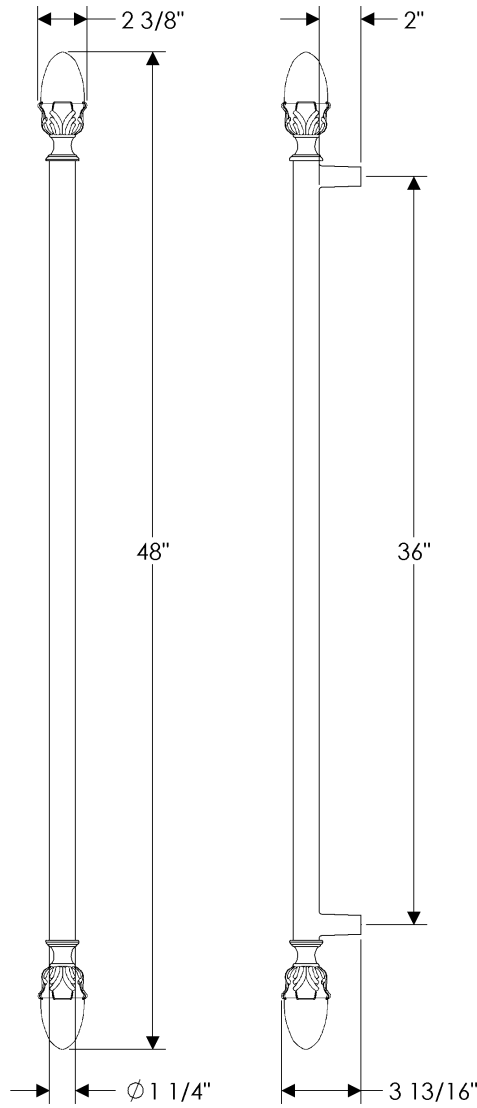
- All finishes are priced the same.
- Single grips are thru-bolted.
- Specify metal, patina, and door thickness.
- Double grips have back-to-back mounting.

EXTERIOR INTERIOR



G672 G672

36" ACORN GRIP &



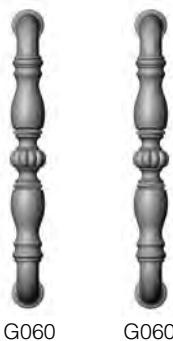
G672

Double ..... \$ 2115.00

Single ..... \$ 1039.00

- All finishes are priced the same.
- Single grips are thru-bolted.
- Specify metal, patina, and door thickness.
- Double grips have back-to-back mounting.

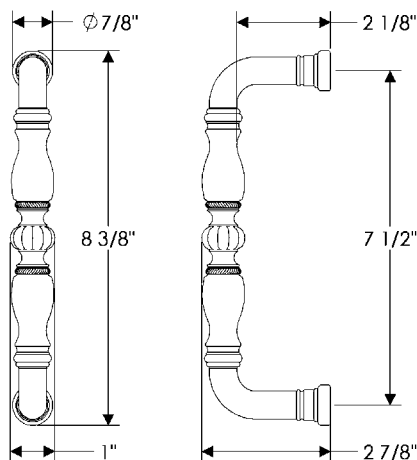
EXTERIOR INTERIOR



G060 G060

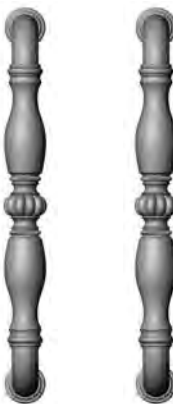
Double ..... \$ 700.00

7 1/2" ELLIS GRIP &



G060

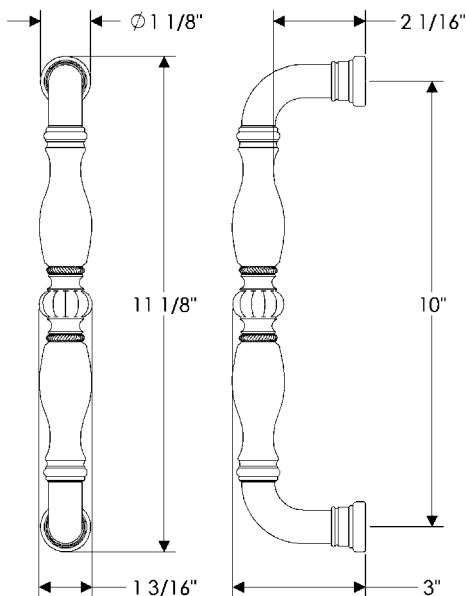
Single ..... \$ 336.00



G070 G070

Double ..... \$ 700.00

10" ELLIS GRIP &

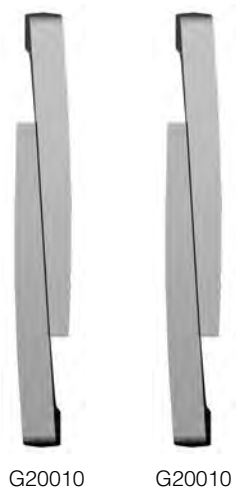


G070

Single ..... \$ 336.00

- All finishes are priced the same.
- Single grips are thru-bolted.
- Specify metal, patina, and door thickness.
- Double grips have back-to-back mounting.

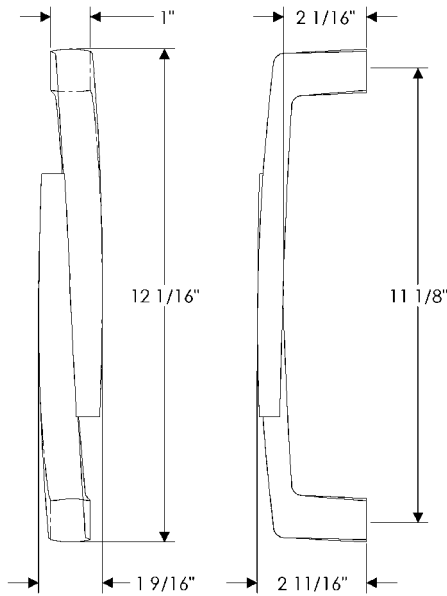
EXTERIOR      INTERIOR



G20010      G20010

Double ..... \$ 768.00

11 1/8" SHIFT GRIP &  
TED BOERNER COLLECTION

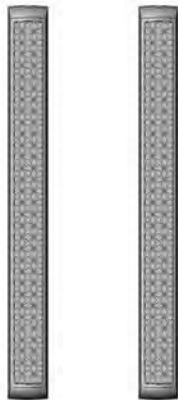


G20010

Single ..... \$ 370.00

- All finishes are priced the same.
- Single grips are thru-bolted.
- Specify metal, patina, and door thickness.
- Double grips have back-to-back mounting.

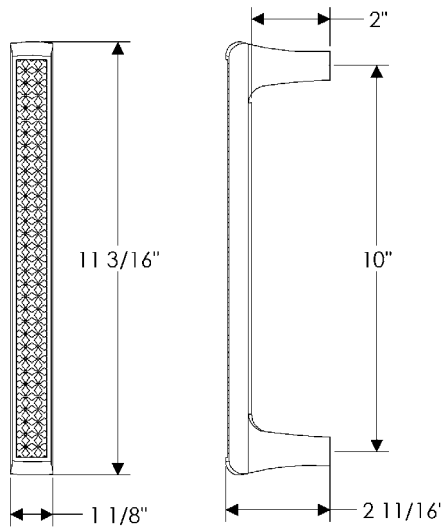
EXTERIOR INTERIOR



G10801 G10801

Double ..... \$ 700.00

10" BRIGGS GRIP &



G10801

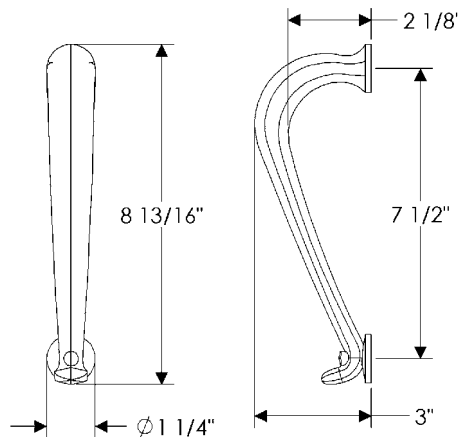
Single ..... \$ 336.00



G10802 G10802

Double ..... \$ 700.00

7 1/2" KETTLE GRIP &



G10802

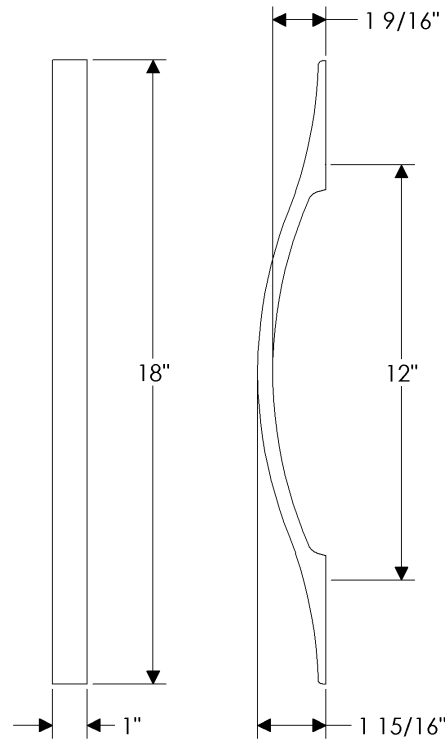
Single ..... \$ 336.00

- All finishes are priced the same.
- Single grips are thru-bolted.
- Specify metal, patina, and door thickness.
- Not available for back-to-back mounting.

EXTERIOR INTERIOR

12" SUMMIT GRIP

**Note:** Not available for back-to-back mounting.



G280

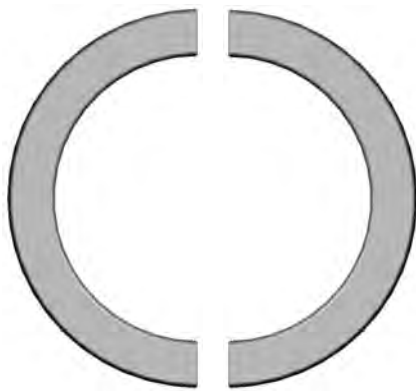
Single ..... \$ 362.00

- All finishes are priced the same.
- Single grips are thru-bolted.
- Specify metal, patina, and door thickness.
- Double grips have back-to-back mounting.

EXTERIOR

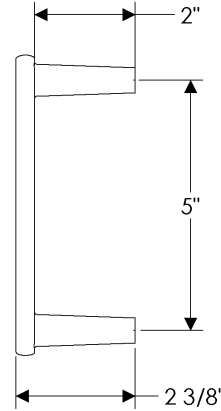
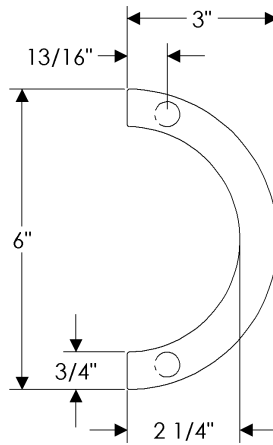
INTERIOR

5" CIRQUE GRIP 



G706

G706



G706

Double . . . . . \$ 700.00 (Single Door – 1 pair back-to-back)  
 Double . . . . . \$ 1400.00 (Double Doors – 2 pairs back-to-back)

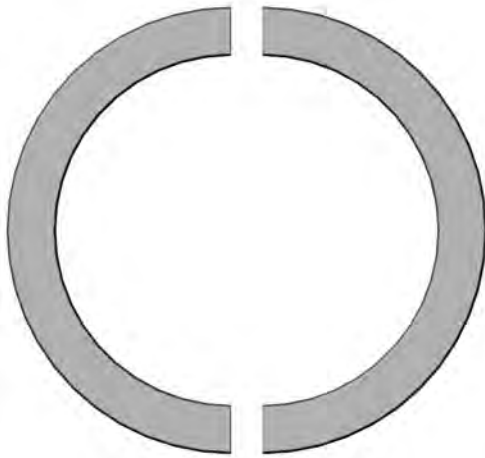
Single . . . . . \$ 336.00

- All finishes are priced the same.
- Single grips are thru-bolted.
- Specify metal, patina, and door thickness.
- Double grips have back-to-back mounting.

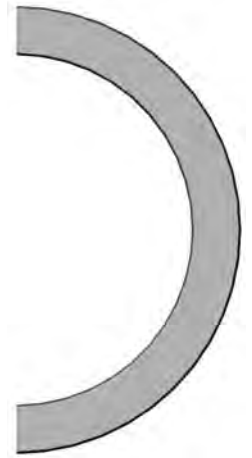
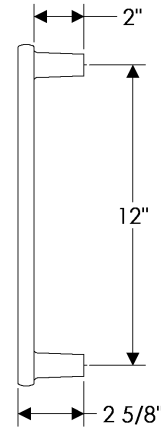
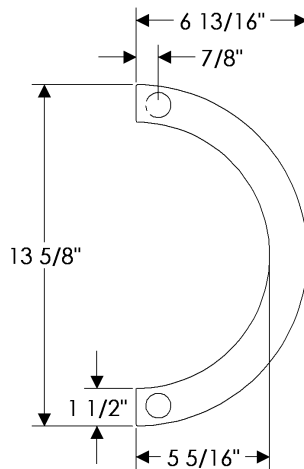
EXTERIOR

INTERIOR

12" CIRQUE GRIP 



G714

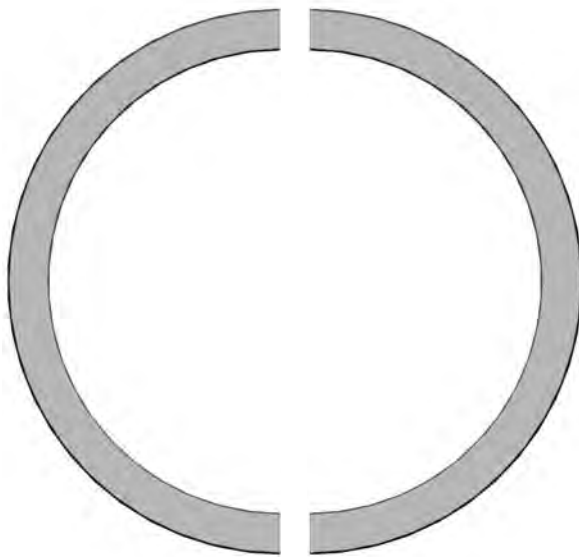


G714

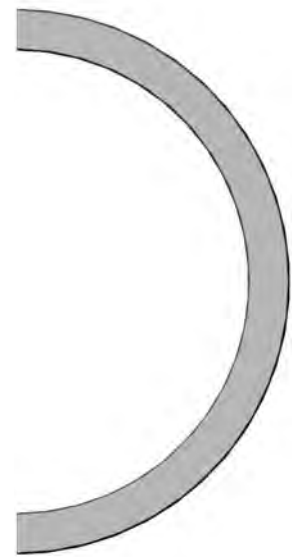
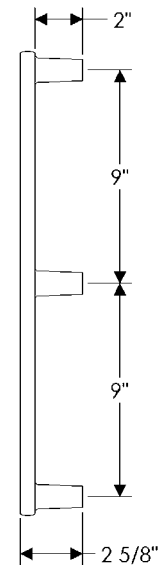
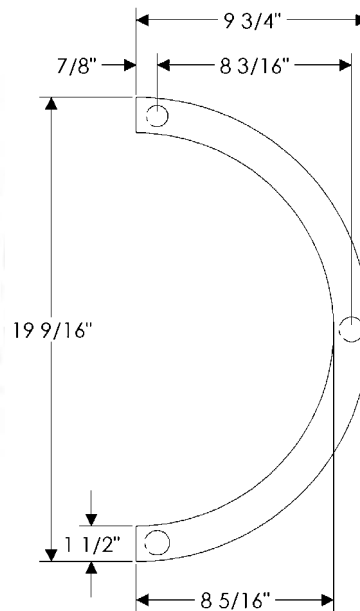
Double . . . . . \$ 970.00 (Single Door – 1 pair back-to-back)  
 Double . . . . . \$ 1940.00 (Double Doors – 2 pairs back-to-back)

Single . . . . . \$ 471.00

18" CIRQUE GRIP 



G718



G718

Double . . . . . \$ 1478.00 (Single Door – 1 pair back-to-back)  
 Double . . . . . \$ 2956.00 (Double Doors – 2 pairs back-to-back)

Single . . . . . \$ 725.00



- All finishes are priced the same.
- Single grips are thru-bolted.
- Specify metal, patina, and door thickness.
- Double grips have back-to-back mounting.

EXTERIOR

INTERIOR

### 6" MEDALLION PULL



G666



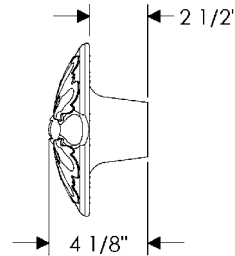
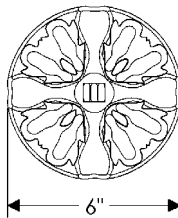
G666



G666

Double..... \$ 1309.00

Single..... \$ 636.00



### 7" MEDALLION PULL



G665



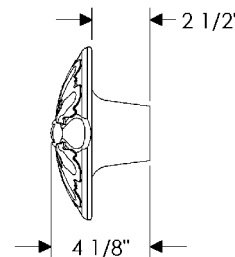
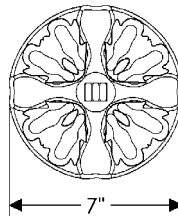
G665



G665

Double..... \$ 1569.00

Single..... \$ 763.00



- All finishes are priced the same.
- Single grips are thru-bolted.
- Specify metal, patina, and door thickness.
- Double grips have back-to-back mounting.

EXTERIOR

INTERIOR

9" MEDALLION PULL



G662



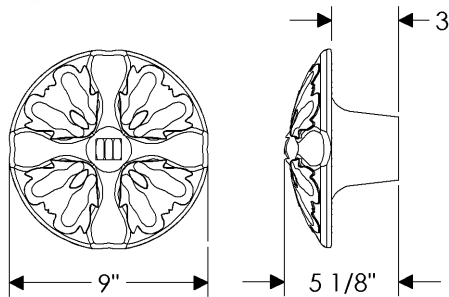
G662



G662

Double . . . . . \$ 1948.00

Single . . . . . \$ 941.00



6" LUNA PULL



G675



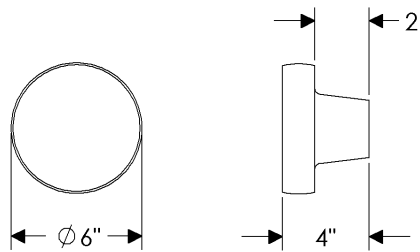
G675



G675

Double . . . . . \$ 1186.00

Single . . . . . \$ 560.00

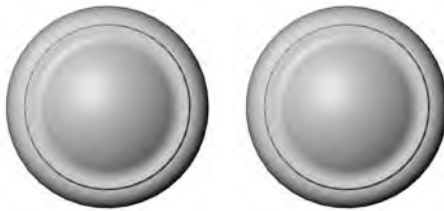


- All finishes are priced the same.
- Single grips are thru-bolted.
- Specify metal, patina, and door thickness.
- Double grips have back-to-back mounting.

EXTERIOR

INTERIOR

6" FRIEDMAN PULL



G667

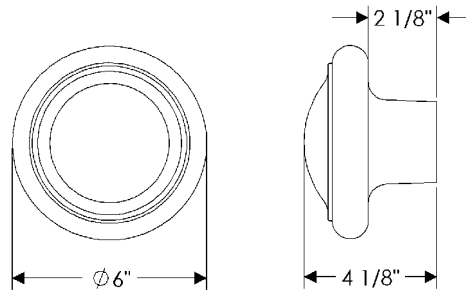
G667

Double..... \$ 1186.00

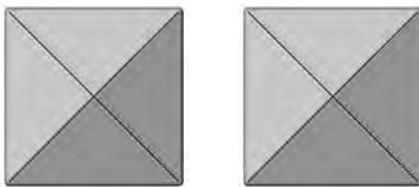


G667

Single..... \$ 560.00



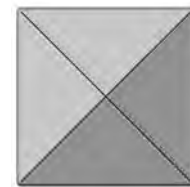
5" SQUARE PULL



G679

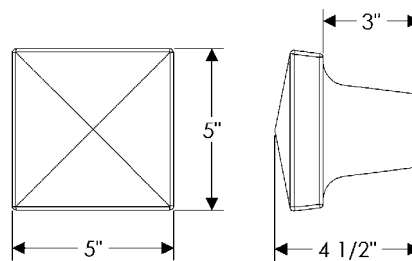
G679

Double..... \$ 1346.00



G679

Single..... \$ 640.00



- All finishes are priced the same.
- Single grips are thru-bolted.
- Specify metal, patina, and door thickness.
- Double grips have back-to-back mounting.

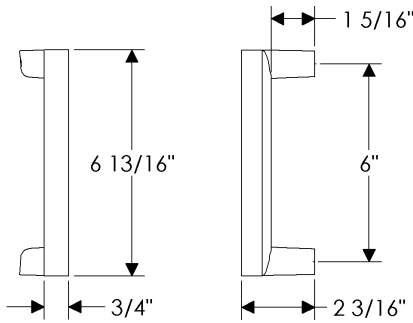
EXTERIOR INTERIOR

6" OFFSET RAIL GRIP



G258 G258

Double ..... \$ 236.00



G258

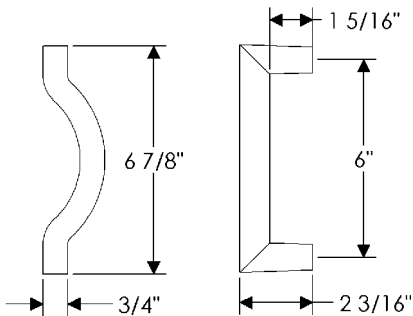
Single ..... \$ 104.00

6" OFFSET CURVED RAIL GRIP



G260 G260

Double ..... \$ 236.00



G260

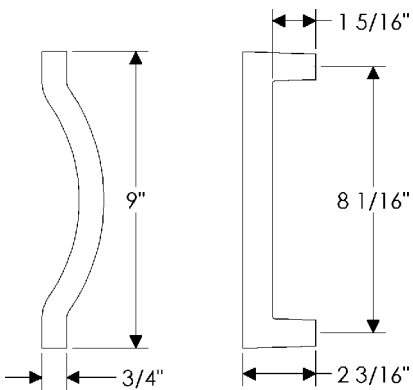
Single ..... \$ 104.00

8 1/16" OFFSET CURVED RAIL GRIP



G259 G259

Double ..... \$ 236.00



G259

Single ..... \$ 104.00

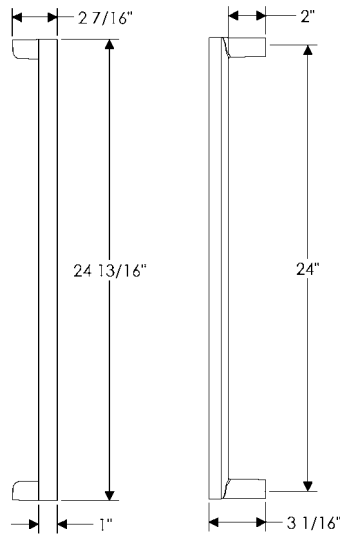
- All finishes are priced the same.
- Single grips are thru-bolted.
- Specify metal, patina, and door thickness.
- Double grips have back-to-back mounting.

EXTERIOR INTERIOR

24" OFFSET RAIL GRIP 



G262 G262



G262

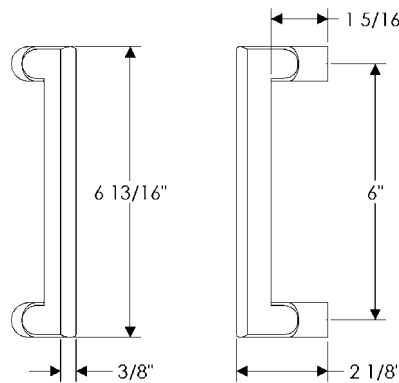
Double ..... \$ 983.00

Single ..... \$ 470.00

6" OFFSET OLYMPUS GRIP



G645 G645



G645

Double ..... \$ 236.00

Single ..... \$ 104.00

- All finishes are priced the same.
- Single grips are thru-bolted.
- Specify metal, patina, and door thickness.
- Double grips have back-to-back mounting.

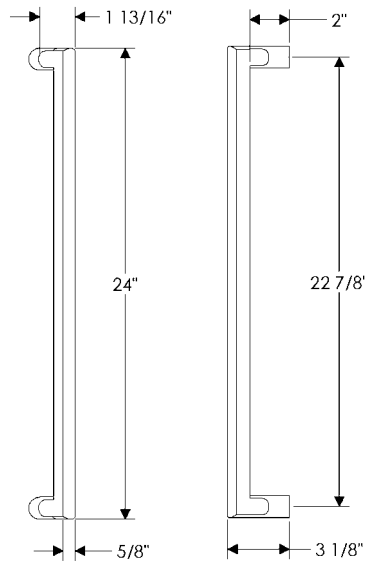
EXTERIOR INTERIOR

22 7/8" OFFSET OLYMPUS GRIP &



G661 G661

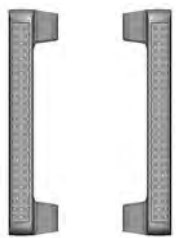
Double ..... \$ 983.00



G661

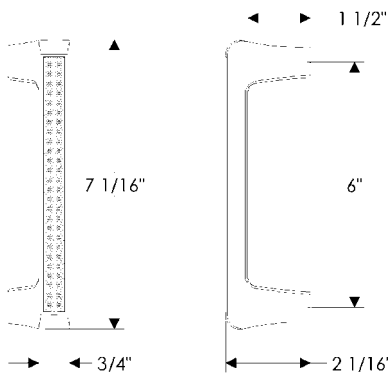
Single ..... \$ 470.00

6" OFFSET BRIGGS GRIP



G10810 G10810

Double ..... \$ 236.00



G10810

Single ..... \$ 104.00

- All finishes are priced the same.
- Single grips are thru-bolted.
- Specify metal, patina, and door thickness.
- Double grips have back-to-back mounting.

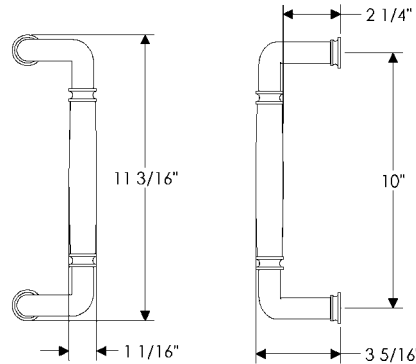
EXTERIOR INTERIOR

10" OFFSET MADDOX GRIP 



G588 G588

Double ..... \$ 700.00



G588

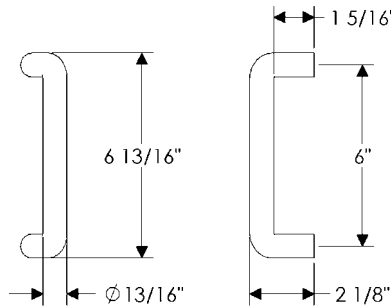
Single ..... \$ 336.00

6" OFFSET D GRIP



SDP6 SDP6

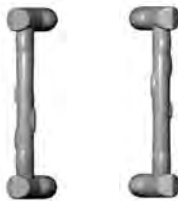
Double ..... \$ 236.00



SDP6

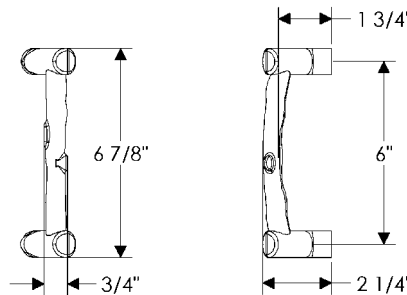
Single ..... \$ 104.00

6" OFFSET BRANCH GRIP



SDT6 SDT6

Double ..... \$ 236.00



SDT6

Single ..... \$ 104.00

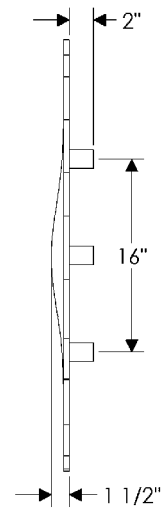
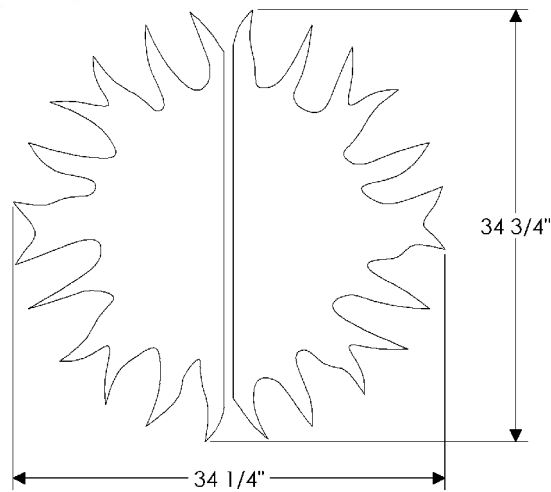
- All finishes are priced the same.
- Specify metal, patina, and door thickness.
- Not available for back-to-back mounting.

EXTERIOR INTERIOR

SUN PULL

G2636 ..... \$ 7540.00

**Note:** Not available for back-to-back mounting.





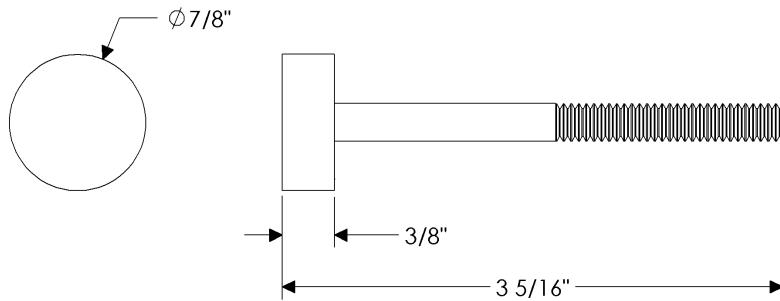
- All finishes are priced the same.
- Specify metal, patina, and door thickness.

TBCAP1 THRU-BOLT SCREW CAP















**TBCAP1** Thru-Bolt Screw Cap  
7/8" Diameter ..... \$ 45.00














- Thru-Bolt included

















- Combinations below are shown with G607 10" Sun Valley Grip. Call RMH for pricing and compatibility of other grips.
- All finishes are priced the same.
- Specify metal, patina, backset, door thickness, and lock type.

	ACTIVE	DUMMY	ACTIVE	DUMMY	ESCUTCHEON OPTIONS	
<b>A</b>			<b>B</b>			<b>A 2 1/2" x 13" Rectangular Escutcheon</b> E480 Push Single . . . . . \$150.00 E480 / E480 Push Double . . . . . \$300.00 Refer to spec page B12
	E480	E480		E465	E465	<b>B 3 1/2" x 13" Rectangular Escutcheon</b> E465 Push Single . . . . . \$173.00 E465 / E465 Push Double . . . . . \$346.00 Refer to spec page B12
<b>C</b>			<b>D</b>			<b>C 2 3/4" x 18" Rectangular Escutcheon</b> G644 Push Single . . . . . \$173.00 G644 / G644 Push Double . . . . . \$346.00 Refer to spec page B5
	G644	G644		G641	G642	<b>D 2 3/4" x 18" Rectangular Escutcheon</b> G644 / G644 Push Double . . . . . \$346.00 Refer to spec page B5
<b>E</b>					<b>F</b>	<b>E 2 3/4" x 18" Rectangular Escutcheon</b> G641 / G642 Pull/Pull Dead Bolt . . . . . \$1139.00 G644 / G644 Pull/Pull Dummy . . . . . \$1008.00 Refer to spec page B5
	G641	G642	G644	G644		<b>F 2 3/4" x 18" Rectangular Escutcheon</b> G641 / G641 Pull/Pull Double Cylinder Dead Bolt . . . . . \$1216.00 G644 / G644 Pull/Pull Dummy . . . . . \$1008.00 Refer to spec page B5
	G641	G642	G644	G644		





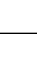
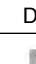
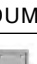
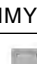
- Combinations below are shown with G607 10" Sun Valley Grip. Call RMH for pricing and compatibility of other grips.
- All finishes are priced the same.
- Specify metal, patina, backset, door thickness, and lock type.

	ACTIVE	DUMMY	ACTIVE	DUMMY	ESCUTCHEON OPTIONS
<b>A</b>					<b>A 3 1/2" x 18" Rectangular Escutcheon</b> G604 Push Single . . . . . \$216.00 G604 / G604 Push Double . . . . . \$432.00 Refer to spec page B6
		G604 G604			
<b>B</b>					<b>B 3 1/2" x 18" Rectangular Escutcheon</b> G601 / G602 Pull/Push Dead Bolt . . . . \$906.00 G604 / G604 Pull/Push Dummy . . . . . \$790.00 Refer to spec page B6
	G601	G602	G604	G604	
<b>C</b>					<b>C 3 1/2" x 18" Rectangular Escutcheon</b> G601 / G602 Pull/Pull Dead Bolt . . . . . \$1225.00 G604 / G604 Pull/Pull Dummy . . . . . \$1147.00 Refer to spec page B6
	G601	G602	G604	G604	
<b>D</b>					<b>D 3 1/2" x 18" Rectangular Escutcheon</b> G601 / G601 Pull/Pull Double Cylinder Dead Bolt . . . . . \$1302.00 G604 / G604 Pull/Pull Dummy . . . . . \$1147.00 Refer to spec page B6
	G601	G601	G604	G604	























- Combinations below are shown with G614 12" Gooseneck Grip. Call RMH for pricing and compatibility of other grips.
- All finishes are priced the same.
- Specify metal, patina, backset, door thickness, and lock type.

	ACTIVE	DUMMY	ACTIVE	DUMMY	ESCUTCHEON OPTIONS
<b>A</b>					<b>A 3 1/2" x 24" Rectangular Escutcheon</b> G684 Push Single . . . . . \$ 300.00 G684 / G684 Push Double . . . . . \$ 600.00 Refer to spec page B6
		G684 G684			
<b>B</b>					<b>B 3 1/2" x 24" Rectangular Escutcheon</b> G681 / G682 Pull/Push Dead Bolt . . . . . \$1099.00 G684 / G684 Pull/Push Dummy . . . . . \$ 947.00 Refer to spec page B6
	G681 G682	G684 G684			
<b>C</b>					<b>C 3 1/2" x 24" Rectangular Escutcheon</b> G681 / G682 Pull/Pull Dead Bolt . . . . . \$1446.00 G684 / G684 Pull/Pull Dummy . . . . . \$1294.00 Refer to spec page B6
	G681 G682	G684 G684			
<b>D</b>					<b>D 3 1/2" x 24" Rectangular Escutcheon</b> G681 / G681 Pull/Pull Double Cylinder Dead Bolt . . . . . \$1523.00 G684 / G684 Pull/Pull Dummy . . . . . \$1294.00 Refer to spec page B6
	G681 G681	G684 G684			

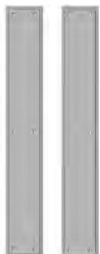












- Combinations below are shown with G619 10" D Grip. Call RMH for pricing and compatibility of other grips.
- All finishes are priced the same.
- Specify metal, patina, backset, door thickness, and lock type.

ACTIVE		DUMMY		ACTIVE		DUMMY		ESCUTCHEON OPTIONS	
<b>A</b>									<b>A 2 3/4" x 20" Stepped Escutcheon</b> G304 Push Single . . . . . \$237.00 G304 / G304 Push Double . . . . . \$474.00 Refer to spec page B17
									<b>B 2 3/4" x 20" Stepped Escutcheon</b> G301 / G302 Push/Pull Dead Bolt . . . . \$947.00 G304 / G304 Push/Pull Dummy . . . . . \$794.00 Refer to spec page B17
<b>C</b>									<b>C 2 3/4" x 20" Stepped Escutcheon</b> G301 / G302 Push/Pull Dead Bolt . . . . \$1267.00 G304 / G304 Push/Pull Dummy . . . . . \$1115.00 Refer to spec page B17
									<b>D 2 3/4" x 20" Stepped Escutcheon</b> G301 / G301 Push/Pull Double Cylinder Dead Bolt . . . . . \$1344.00 G304 / G304 Push/Pull Dummy . . . . . \$1115.00 Refer to spec page B17

- Combinations below are shown with G619 10" D Grip. Call RMH for pricing and compatibility of other grips.
- All finishes are priced the same.
- Specify metal, patina, backset, door thickness, and lock type.

	ACTIVE	DUMMY	ACTIVE	DUMMY	ESCUTCHEON OPTIONS
<b>A</b>					<b>A 3 1/2" x 20" Stepped Escutcheon</b> G324 Push Single . . . . . \$237.00 G324 / G324 Push Double . . . . . \$474.00 Refer to spec page B17
					
<b>B</b>					<b>B 3 1/2" x 20" Stepped Escutcheon</b> G320 / G322 Push/Pull Dead Bolt . . . . . \$947.00 G324 / G324 Push/Pull Dummy . . . . . \$794.00 Refer to spec page B17
					
<b>C</b>					<b>C 3 1/2" x 20" Stepped Escutcheon</b> G320 / G322 Push/Pull Dead Bolt . . . . . \$1267.00 G324 / G324 Push/Pull Dummy . . . . . \$1115.00 Refer to spec page B17
					
<b>D</b>					<b>D 3 1/2" x 20" Stepped Escutcheon</b> G320 / G320 Push/Pull Double Cylinder Dead Bolt . . . . . \$1344.00 G324 / G324 Push/Pull Dummy . . . . . \$1115.00 Refer to spec page B17
					

- Combinations below are shown with G628 12" D Grip. Call RMH for pricing and compatibility of other grips.
- All finishes are priced the same.
- Specify metal, patina, backset, door thickness, and lock type.














	ACTIVE	DUMMY	ACTIVE	DUMMY	ESCUTCHEON OPTIONS
<b>A</b>					<b>A 3 1/2" x 24" Stepped Escutcheon</b> G327 Push Single . . . . . \$ 300.00 G327 / G327 Push Double . . . . . \$ 600.00 Refer to spec page B18
		G327 G327			
<b>B</b>					<b>B 3 1/2" x 24" Stepped Escutcheon</b> G326 / G328 Push/Pull Dead Bolt . . . . \$1099.00 G327 / G327 Push/Pull Dummy . . . . . \$ 947.00 Refer to spec page B18
	G326	G328	G327	G327	
<b>C</b>					<b>C 3 1/2" x 24" Stepped Escutcheon</b> G326 / G328 Push/Pull Dead Bolt . . . . \$1446.00 G327 / G327 Push/Pull Dummy . . . . . \$1294.00 Refer to spec page B18
	G326	G328	G327	G327	
<b>D</b>					<b>D 3 1/2" x 24" Stepped Escutcheon</b> G326 / G326 Push/Pull Double Cylinder Dead Bolt . . . . . \$1523.00 G327 / G327 Push/Pull Dummy . . . . . \$1294.00 Refer to spec page B18
	G326	G326	G327	G327	

- Combinations below are shown with G650 7 1/2" Olympus Grip. Call RMH for pricing and compatibility of other grips.
- All finishes are priced the same.
- These escutcheons (G225 and G226) are not compatible with a 2 1/8" face bore.
- Specify metal, patina, backset, door thickness, and lock type.















	ACTIVE	DUMMY	ACTIVE	DUMMY	ESCUTCHEON OPTIONS
<b>A</b>					<b>A 2 1/4" x 17" Metro Escutcheon</b> G227 Push Single . . . . . \$237.00 G227 / G227 Push Double . . . . . \$474.00 Refer to spec page B26
		G227 G227			
<b>B</b>					<b>B 2 1/4" x 17" Metro Escutcheon</b> G225 / G226 Push/Pull Dead Bolt . . . . . \$947.00 G227 / G227 Push/Pull Dummy . . . . . \$794.00 Refer to spec page B26
	G225	G226	G227	G227	
<b>C</b>					<b>C 2 1/4" x 17" Metro Escutcheon</b> G225 / G226 Push/Pull Dead Bolt . . . . . \$1267.00 G227 / G227 Push/Pull Dummy . . . . . \$1115.00 Refer to spec page B26
	G225	G226	G227	G227	
<b>D</b>					<b>D 2 1/4" x 17" Metro Escutcheon</b> G225 / G225 Push/Pull Double Cylinder Dead Bolt . . . . . \$1344.00 G227 / G227 Push/Pull Dummy . . . . . \$1115.00 Refer to spec page B26
	G225	G225	G227	G227	



- Combinations below are shown with G651 10" Olympus Grip. Call RMH for pricing and compatibility of other grips.
- All finishes are priced the same.
- These escutcheons (G231 and G233) are not compatible with a 2 1/8" face bore.
- Specify metal, patina, backset, door thickness, and lock type.

	ACTIVE	DUMMY	ACTIVE	DUMMY	ESCUTCHEON OPTIONS
<b>A</b>					<b>A 2 1/4" x 20" Metro Escutcheon</b> G230 Push Single . . . . . \$237.00 G230 / G230 Push Double . . . . . \$474.00 Refer to spec page B26
		G230 G230			
<b>B</b>					<b>B 2 1/4" x 20" Metro Escutcheon</b> G233 / G231 Push/Pull Dead Bolt . . . . . \$947.00 G230 / G230 Push/Pull Dummy . . . . . \$794.00 Refer to spec page B26
	G233 G231	G230 G230			
<b>C</b>					<b>C 2 1/4" x 20" Metro Escutcheon</b> G233 / G231 Push/Pull Dead Bolt . . . . . \$1267.00 G230 / G230 Push/Pull Dummy . . . . . \$1115.00 Refer to spec page B26
	G233 G231	G230 G230			
<b>D</b>					<b>D 2 1/4" x 20" Metro Escutcheon</b> G233 / G233 Push/Pull Double Cylinder Dead Bolt . . . . . \$1344.00 G230 / G230 Push/Pull Dummy . . . . . \$1115.00 Refer to spec page B26
	G233 G233	G230 G230			




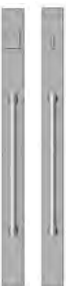



- Combinations below are shown with G651 10" Olympus Grip. Call RMH for pricing and compatibility of other grips.
- All finishes are priced the same.
- Specify metal, patina, backset, door thickness, and lock type.

	ACTIVE	DUMMY	ACTIVE	DUMMY	ESCUTCHEON OPTIONS
<b>A</b>					<b>A 2 3/4" x 20" Metro Escutcheon</b> G240 Push Single . . . . . \$237.00 G240 / G240 Push Double . . . . . \$474.00 Refer to spec page B28
		G240 G240			
<b>B</b>					<b>B 2 3/4" x 20" Metro Escutcheon</b> G242 / G241 Push/Pull Dead Bolt . . . . . \$947.00 G240 / G240 Push/Pull Dummy . . . . . \$794.00 Refer to spec page B28
	G242 G241	G240 G240			
<b>C</b>					<b>C 2 3/4" x 20" Metro Escutcheon</b> G242 / G241 Push/Pull Dead Bolt . . . . . \$1267.00 G240 / G240 Push/Pull Dummy . . . . . \$1115.00 Refer to spec page B28
	G242 G241	G240 G240			
<b>D</b>					<b>D 2 3/4" x 20" Metro Escutcheon</b> G242 / G242 Push/Pull Double Cylinder Dead Bolt . . . . . \$1344.00 G240 / G240 Push/Pull Dummy . . . . . \$1115.00 Refer to spec page B28
	G242 G242	G240 G240			


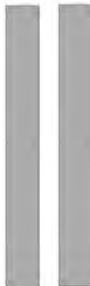


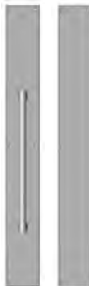








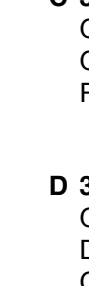
- Combinations below are shown with G651 10" Olympus Grip. Call RMH for pricing and compatibility of other grips.
- All finishes are priced the same.
- Specify metal, patina, backset, door thickness, and lock type.

	ACTIVE	DUMMY	ACTIVE	DUMMY	ESCUTCHEON OPTIONS
<b>A</b>					<b>A 2 3/4" x 23" Metro Escutcheon</b> G236 Push Single . . . . . \$ 286.00 G236 / G236 Push Double . . . . . \$ 572.00 Refer to spec page B28
		G236 G236			
<b>B</b>					<b>B 2 3/4" x 23" Metro Escutcheon</b> G238 / G237 Push/Pull Dead Bolt . . . \$1045.00 G236 / G236 Push/Pull Dummy . . . . \$ 893.00 Refer to spec page B28
	G238 G237	G236 G236			
<b>C</b>					<b>C 2 3/4" x 23" Metro Escutcheon</b> G238 / G237 Push/Pull Dead Bolt . . . \$1365.00 G236 / G236 Push/Pull Dummy . . . . \$1214.00 Refer to spec page B28
	G238 G237	G236 G236			
<b>D</b>					<b>D 2 3/4" x 23" Metro Escutcheon</b> G238 / G238 Push/Pull Double Cylinder Dead Bolt . . . . . \$1442.00 G236 / G236 Push/Pull Dummy . . . . \$1214.00 Refer to spec page B28
	G238 G238	G236 G236			



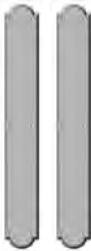
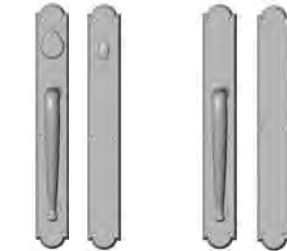
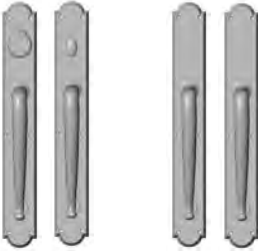

- Combinations below are shown with G652 14" Olympus Grip. Call RMH for pricing and compatibility of other grips.
- All finishes are priced the same.
- These escutcheons (G207 and G208) are not compatible with a 2 1/8" face bore.
- Specify metal, patina, backset, door thickness, and lock type.

	ACTIVE	DUMMY	ACTIVE	DUMMY	ESCUTCHEON OPTIONS
<b>A</b>					<b>A 2 1/4" x 30" Metro Escutcheon</b> G209 Push Single . . . . . \$300.00 G209 / G209 Push Double . . . . . \$600.00 Refer to spec page B27
		G209 G209			
<b>B</b>					<b>B 2 1/4" x 30" Metro Escutcheon</b> G207 / G208 Push/Pull Dead Bolt . . . . . \$1099.00 G209 / G209 Push/Pull Dummy . . . . . \$947.00 Refer to spec page B27
	G207 G208	G209 G209			
<b>C</b>					<b>C 2 1/4" x 30" Metro Escutcheon</b> G207 / G208 Push/Pull Dead Bolt . . . . . \$1446.00 G209 / G209 Push/Pull Dummy . . . . . \$1294.00 Refer to spec page B27
	G207 G208	G209 G209			
<b>D</b>					<b>D 2 1/4" x 30" Metro Escutcheon</b> G207 / G207 Push/Pull Double Cylinder Dead Bolt . . . . . \$1523.00 G209 / G209 Push/Pull Dummy . . . . . \$1294.00 Refer to spec page B27
	G207 G207	G209 G209			







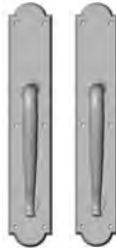
- Combinations below are shown with G652 14" Olympus Grip. Call RMH for pricing and compatibility of other grips.
- All finishes are priced the same.
- Specify metal, patina, backset, door thickness, and lock type.

ACTIVE		DUMMY		ACTIVE		DUMMY		ESCUTCHEON OPTIONS	
<b>A</b>									<b>A 3 1/2" x 30" Metro Escutcheon</b> G203 Push Single . . . . . \$423.00 G203 / G203 Push Double . . . . . \$846.00 Refer to spec page B29
	G203		G203						
<b>B</b>									<b>B 3 1/2" x 30" Metro Escutcheon</b> G201 / G202 Push/Pull Dead Bolt . . . . . \$1345.00 G203 / G203 Push/Pull Dummy . . . . . \$1192.00 Refer to spec page B29
	G201		G202		G203		G203		
<b>C</b>									<b>C 3 1/2" x 30" Metro Escutcheon</b> G201 / G202 Push/Pull Dead Bolt . . . . . \$1691.00 G203 / G203 Push/Pull Dummy . . . . . \$1539.00 Refer to spec page B29
	G201		G202		G203		G203		
<b>D</b>									<b>D 3 1/2" x 30" Metro Escutcheon</b> G201 / G201 Push/Pull Double Cylinder Dead Bolt . . . . . \$1768.00 G203 / G203 Push/Pull Dummy . . . . . \$1539.00 Refer to spec page B29
	G201		G201		G203		G203		















- Combinations below are shown with G607 10" Sun Valley Grip. Call RMH for pricing and compatibility of other grips.
- All finishes are priced the same.
- Specify metal, patina, backset, door thickness, and lock type.

ACTIVE	DUMMY	ACTIVE	DUMMY	ESCUTCHEON OPTIONS
<b>A</b>	 E780 E780	<b>B</b>	 E707 E707	<b>A 2 1/2" x 13" Arched Escutcheon</b> E780 Push Single . . . . . \$ 150.00 E780 / E780 Push Double . . . . . \$ 300.00 Refer to spec page B45
<b>C</b>	 G763 G763	<b>D</b>	 G761 G762 G763 G763	<b>B 3" x 13" Arched Escutcheon</b> E707 Push Single . . . . . \$ 173.00 E707 / E707 Push Double . . . . . \$ 346.00 Refer to spec page B45
<b>E</b>	 G761 G762 G763 G763	<b>F</b>	 G761 G761 G763 G763	<b>C 2 3/4" x 20" Arched Escutcheon</b> G763 Push Single . . . . . \$ 237.00 G763 / G763 Push Double . . . . . \$ 474.00 Refer to spec page B37
				<b>D 2 3/4" x 20" Arched Escutcheon</b> G761 / G762 Push/Pull Dead Bolt . . . . . \$ 947.00 G763 / G763 Push/Pull Dummy . . . . . \$ 794.00 Refer to spec page B37
				<b>E 2 3/4" x 20" Arched Escutcheon</b> G761 / G762 Push/Pull Dead Bolt . . . . . \$ 1267.00 G763 / G763 Push/Pull Dummy . . . . . \$ 1115.00 Refer to spec page B37
				<b>F 2 3/4" x 20" Arched Escutcheon</b> G761 / G761 Push/Pull Double Cylinder Dead Bolt . . . . . \$ 1344.00 G763 / G763 Push/Pull Dummy . . . . . \$ 1115.00 Refer to spec page B37

- Combinations below are shown with G607 10" Sun Valley Grip. Call RMH for pricing and compatibility of other grips.
- All finishes are priced the same.
- Specify metal, patina, backset, door thickness, and lock type.

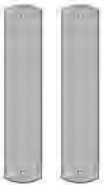
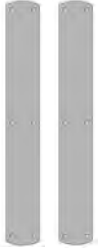






	ACTIVE	DUMMY	ACTIVE	DUMMY	ESCUTCHEON OPTIONS
<b>A</b>					<b>A 3 1/2" x 20" Arched Escutcheon</b> G771 Push Single . . . . . \$237.00 G771 / G771 Push Double . . . . . \$474.00 Refer to spec page B38
		G771 G771			
<b>B</b>					<b>B 3 1/2" x 20" Arched Escutcheon</b> G770 / G772 Push/Pull Dead Bolt . . . . . \$947.00 G771 / G771 Push/Pull Dummy . . . . . \$794.00 Refer to spec page B38
	G770 G772	G771 G771			
<b>C</b>					<b>C 3 1/2" x 20" Arched Escutcheon</b> G770 / G772 Push/Pull Dead Bolt . . . . . \$1267.00 G771 / G771 Push/Pull Full Dummy . . . \$1115.00 Refer to spec page B38
	G770 G772	G771 G771			
<b>D</b>					<b>D 3 1/2" x 20" Arched Escutcheon</b> G770 / G770 Push/Pull Double Cylinder Dead Bolt . . . . . \$1344.00 G771 / G771 Push/Pull Dummy . . . . . \$1115.00 Refer to spec page B38
	G770 G770	G771 G771			

- Combinations below are shown with G614 12" Gooseneck Grip. Call RMH for pricing and compatibility of other grips.
- All finishes are priced the same.
- Specify metal, patina, backset, door thickness, and lock type.








	ACTIVE	DUMMY	ACTIVE	DUMMY	ESCUTCHEON OPTIONS
<b>A</b>					<b>A 3 1/2" x 26" Arched Escutcheon</b> G784 Push Single . . . . . \$300.00 G784 / G784 Push Double . . . . . \$600.00 Refer to spec page B39
		G784 G784			
<b>B</b>					<b>B 3 1/2" x 26" Arched Escutcheon</b> G781 / G782 Push/Pull Dead Bolt . . . . . \$1099.00 G784 / G784 Push/Pull Dummy . . . . . \$947.00 Refer to spec page B39
	G781 G782	G784 G784			
<b>C</b>					<b>C 3 1/2" x 26" Arched Escutcheon</b> G781 / G782 Push/Pull Dead Bolt . . . . . \$1446.00 G784 / G784 Push/Pull Dummy . . . . . \$1294.00 Refer to spec page B39
	G781 G782	G784 G784			
<b>D</b>					<b>D 3 1/2" x 26" Arched Escutcheon</b> G781 / G781 Push/Pull Double Cylinder Dead Bolt . . . . . \$1523.00 G784 / G784 Push/Pull Dummy . . . . . \$1294.00 Refer to spec page B39
	G781 G781	G784 G784			













- Combinations below are shown with G619 10" D Grip. Call RMH for pricing and compatibility of other grips.
- All finishes are priced the same.
- Specify metal, patina, backset, door thickness, and lock type.

	ACTIVE	DUMMY	ACTIVE	DUMMY	ESCUTCHEON OPTIONS
<b>A</b>					<b>A 2 3/4" x 13" Curved Escutcheon</b> G560 Push Single . . . . . \$173.00 G560 / G560 Push Double . . . . . \$346.00 Refer to spec page 53
		G560 G560			
<b>B</b>					<b>B 2 3/4" x 20" Curved Escutcheon</b> G504 Push Single . . . . . \$237.00 G504 / G504 Push Double . . . . . \$474.00 Refer to spec page B49
			G504 G504		
<b>C</b>					<b>C 2 3/4" x 20" Curved Escutcheon</b> G501 / G502 Push/Pull Dead Bolt . . . . \$947.00 G504 / G504 Push/Pull Dummy . . . . . \$794.00 Refer to spec page B49
	G501 G502	G504 G504			
<b>D</b>					<b>D 2 3/4" x 20" Curved Escutcheon</b> G501 / G502 Push/Pull Dead Bolt . . . . \$1267.00 G504 / G504 Push/Pull Dummy . . . . . \$1115.00 Refer to spec page B49
	G501 G502	G504 G504			
<b>E</b>					<b>E 2 3/4" x 20" Curved Escutcheon</b> G501 / G501 Push/Pull Double Cylinder Dead Bolt . . . . . \$1344.00 G504 / G504 Push/Pull Dummy . . . . . \$1115.00 Refer to spec page B49
	G501 G501	G504 G504			















- Combinations below are shown with G628 12" D Grip. Call RMH for pricing and compatibility of other grips.
- All finishes are priced the same.
- Specify metal, patina, backset, door thickness, and lock type.

	ACTIVE	DUMMY	ACTIVE	DUMMY	ESCUTCHEON OPTIONS
<b>A</b>					<b>A 3 1/2" x 26" Curved Escutcheon</b> G508 Push Single . . . . . \$300.00 G508 / G508 Push Double . . . . . \$600.00 Refer to spec page B50
		G508 G508			
<b>B</b>					<b>B 3 1/2" x 26" Curved Escutcheon</b> G505 / G507 Push/Pull Dead Bolt . . . . \$1099.00 G508 / G508 Push/Pull Dummy . . . . . \$947.00 Refer to spec page B50
	G505 G507	G508 G508			
<b>C</b>					<b>C 3 1/2" x 26" Curved Escutcheon</b> G505 / G507 Push/Pull Dead Bolt . . . . \$1446.00 G508 / G508 Push/Pull Dummy . . . . . \$1294.00 Refer to spec page B50
	G505 G507	G508 G508			
<b>D</b>					<b>D 3 1/2" x 26" Curved Escutcheon</b> G505 / G505 Push/Pull Double Cylinder Dead Bolt . . . . . \$1523.00 G508 / G508 Push/Pull Dummy . . . . . \$1294.00 Refer to spec page B50
	G505 G505	G508 G508			


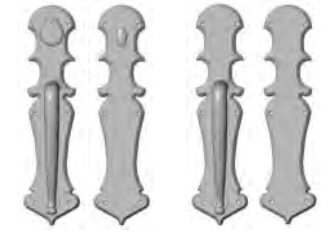


- Combinations below are shown with G607 10" Sun Valley Grip. Call RMH for pricing and compatibility of other grips.
- All finishes are priced the same.
- Specify metal, patina, backset, door thickness, and lock type.

ACTIVE		DUMMY		ACTIVE		DUMMY		ESCUTCHEON OPTIONS	
<b>A</b>									
				<b>B</b>					<b>A 3 1/4" x 27" Fleur De Lis Escutcheon</b> G843 Push Single . . . . . \$291.00 G843 / G843 Push Double . . . . . \$582.00 Refer to spec page B57
									<b>B 3 1/4" x 27" Fleur De Lis Escutcheon</b> G841/ G842 Push/Pull Dead Bolt. . . . . \$1054.00 G843 / G843 Push/Pull Dummy . . . . . \$901.00 Refer to spec page B57
									<b>C 3 1/4" x 27" Fleur De Lis Escutcheon</b> G841 / G842 Push/Pull Dead Bolt . . . . . \$1374.00 G843 / G843 Push/Pull Dummy . . . . . \$1222.00 Refer to spec page B57
<b>C</b>									<b>D 3 1/4" x 27" Fleur De Lis Escutcheon</b> G841 / G841 Push/Pull Double Cylinder Dead Bolt . . . . . \$1451.00 G843 / G843 Push/Pull Dummy . . . . . \$1222.00 Refer to spec page B57















- Combinations below are shown with G10801 10" Briggs Grip. Call RMH for pricing and compatibility of other grips.
- All finishes are priced the same.
- Specify metal, patina, backset, door thickness, and lock type.

ACTIVE		DUMMY		ACTIVE		DUMMY		ESCUTCHEON OPTIONS		
<b>A</b>					<b>B</b>					<b>A 3 9/16" x 23 1/4" Briggs Escutcheon</b> G10852 Push Single . . . . . \$300.00 G10852 / G10852 Push Double . . . . . \$600.00 Refer to spec pages B62
	G10852	G10852			G10850	G10851	G10852	G10852		<b>B 3 9/16" x 23 1/4" Briggs Escutcheon</b> G10850 / G10851 Push/Pull Dead Bolt . . . . . \$1099.00 G10852 / G10852 Push/Pull Dummy . \$947.00 Refer to spec pages B62
<b>C</b>					<b>D</b>					<b>C 3 9/16" x 23 1/4" Briggs Escutcheon</b> G10850 / G10851 Push/Pull Dead Bolt . . . . . \$1446.00 G10852 / G10852 Push/Pull Dummy . \$1294.00 Refer to spec pages B62
G10850	G10851	G10852	G10852		G10850	G10850	G10852	G10852		<b>D 3 9/16" x 23 1/4" Briggs Escutcheon</b> G10850 / G10850 Push/Pull Double Cylinder Dead Bolt . . . . . \$1523.00 G10852 / G10852 Push/Pull Dummy . \$1294.00 Refer to spec pages B62














- Combinations below are shown with G607 10" Sun Valley Grip. Call RMH for pricing and compatibility of other grips.
- All finishes are priced the same.
- Specify metal, patina, backset, and door thickness.
- These escutcheons (G801 and G802) require a backset of 2 3/4" or greater.

ACTIVE	DUMMY	ACTIVE	DUMMY	ESCUTCHEON OPTIONS
<p><b>A</b></p>  <p>G804 G804</p>		<p><b>B</b></p>  <p>G801 G802 G804 G804</p>		<p><b>A 4 3/16" x 18" Gothic Escutcheon</b>                      G804 Push Single . . . . . \$237.00                      G804 / G804 Push Double . . . . . \$474.00                      Refer to spec page B59</p>
<p><b>C</b></p>  <p>G801 G802 G804 G804</p>		<p><b>D</b></p>  <p>G801 G801 G804 G804</p>		<p><b>B 4 3/16" x 18" Gothic Escutcheon</b>                      G801 / G802 Push/Pull Dead Bolt . . . . \$947.00                      G804 / G804 Push/Pull Dummy . . . . . \$794.00                      Refer to spec page B59</p> <p><b>C 4 3/16" x 18" Gothic Escutcheon</b>                      G801 / G802 Push/Pull Dead Bolt . . . . \$1267.00                      G804 / G804 Push/Pull Dummy . . . . . \$1115.00                      Refer to spec page B59</p> <p><b>D 4 3/16" x 18" Gothic Escutcheon</b>                      G801 / G801 Push/Pull Double Cylinder                      Dead Bolt . . . . . \$1344.00                      G804 / G804 Push/Pull Dummy . . . . . \$1115.00                      Refer to spec page B59</p>








- Combinations below are shown with G580 10" Maddox Grip. Call RMH for pricing and compatibility of other grips.
- All finishes are priced the same.
- Specify metal, patina, backset, door thickness, and lock type.

	ACTIVE	DUMMY	ACTIVE	DUMMY	ESCUTCHEON OPTIONS
<b>A</b>					<b>A 3 1/2" x 22" Maddox Escutcheon</b> G584 Push Single . . . . . \$537.00 G584 / G584 Push Double . . . . . \$1074.00 Refer to spec page B66
		G584 G584			
<b>B</b>					<b>B 3 1/2" x 22" Maddox Escutcheon</b> G581/ G582 Push/Pull Dead Bolt. . . . . \$1572.00 G584 / G584 Push/Pull Dummy . . . . . \$1393.00 Refer to spec page B66
	G581 G582	G584 G584			
<b>C</b>					<b>C 3 1/2" x 22" Maddox Escutcheon</b> G581/ G582 Push/Pull Dead Bolt. . . . . \$1892.00 G584 / G584 Push/Pull Dummy . . . . . \$1714.00 Refer to spec page B66
	G581 G582	G584 G584			
<b>D</b>					<b>D 3 1/2" x 22" Maddox Escutcheon</b> G581 / G581 Push/Pull Double Cylinder Dead Bolt . . . . . \$1976.00 G584 / G584 Push/Pull Dummy . . . . . \$1714.00 Refer to spec page B66
	G581 G581	G584 G584			

- Combinations below are shown with G651 10" Olympus Grip. Call RMH for pricing and compatibility of other grips.
- All finishes are priced the same.
- Specify metal, patina, leather or texture, backset, door thickness, and lock type.
- Refer to page Gi for leather and texture choices. Refer to website or brochure for details.















	ACTIVE	DUMMY	ACTIVE	DUMMY	ESCUTCHEON OPTIONS
<b>A</b>					<b>A 3 1/2" x 18" Designer Escutcheon</b> G133 Push Single . . . . . \$ 518.00 G133 / G133 Push Double . . . . . \$1036.00 Refer to spec page B69
		G133 G133			
<b>B</b>					<b>B 3 1/2" x 18" Designer Escutcheon</b> G130 / G132 Push/Pull Dead Bolt . . . . \$1510.00 G133 / G133 Push/Pull Dummy . . . . . \$1394.00 Refer to spec page B69
	G130 G132	G133 G133			
<b>C</b>					<b>C 3 1/2" x 18" Designer Escutcheon</b> G130 / G132 Push/Pull Dead Bolt . . . . \$1829.00 G133 / G133 Push/Pull Dummy . . . . . \$1751.00 Refer to spec page B69
	G130 G132	G133 G133			
<b>D</b>					<b>D 3 1/2" x 18" Designer Escutcheon</b> G130 / G130 Push/Pull Double Cylinder Dead Bolt . . . . . \$1906.00 G133 / G133 Push/Pull Dummy . . . . . \$1751.00 Refer to spec page B69
	G130 G130	G133 G133			

- Combinations below are shown with G652 14" Olympus Grip. Call RMH for pricing and compatibility of other grips.
- All finishes are priced the same.
- Specify metal, patina, leather or texture, backset, door thickness, and lock type.
- Refer to page Gi for leather and texture choices. Refer to website or brochure for details.






	ACTIVE	DUMMY	ACTIVE	DUMMY	ESCUTCHEON OPTIONS
<b>A</b>					<b>A 3 1/2" x 24" Designer Escutcheon</b> G137 Push Single . . . . . \$ 737.00 G137 / G137 Push Double . . . . . \$1474.00 Refer to spec page B70
		G137 G137			
<b>B</b>					<b>B 3 1/2" x 24" Designer Escutcheon</b> G135 / G136 Push/Pull Dead Bolt . . . . \$1973.00 G137 / G137 Push/Pull Dummy . . . . . \$1821.00 Refer to spec page B70
	G135 G136	G137 G137			
<b>C</b>					<b>C 3 1/2" x 24" Designer Escutcheon</b> G135 / G136 Push/Pull Dead Bolt . . . . \$2320.00 G137 / G137 Push/Pull Dummy . . . . . \$2168.00 Refer to spec page B70
	G135 G136	G137 G137			
<b>D</b>					<b>D 3 1/2" x 24" Designer Escutcheon</b> G135 / G135 Push/Pull Double Cylinder Dead Bolt . . . . . \$2397.00 G137 / G137 Push/Pull Dummy . . . . . \$2168.00 Refer to spec page B70
	G135 G135	G137 G137			



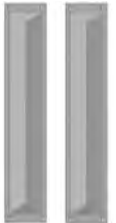



- Combinations below are shown with G653 22 7/8" Olympus Grip. Call RMH for pricing and compatibility of other grips.
- All finishes are priced the same.
- Specify metal, patina, leather or texture, backset, door thickness, and lock type.
- Refer to page Gi for leather and texture choices. Refer to website or brochure for details.

ACTIVE		DUMMY		ACTIVE		DUMMY		ESCUTCHEON OPTIONS				
<b>A</b>							<b>B</b>					<p><b>A 3 1/2" x 33 7/8" Designer Escutcheon</b>                      G147 Push Single . . . . . \$1028.00                      G147 / G147 Push Double . . . . . \$2056.00                      Refer to spec page B71</p>
		G147	G147			G145	G146	G147	G147			<p><b>B 3 1/2" x 33 7/8" Designer Escutcheon</b>                      G145 / G146 Push/Pull Dead Bolt . . . . \$2847.00                      G147 / G147 Push/Pull Dummy . . . . . \$2695.00                      Refer to spec page B71</p>
<b>C</b>					<b>D</b>							<p><b>C 3 1/2" x 33 7/8" Designer Escutcheon</b>                      G145 / G146 Push/Pull Dead Bolt . . . . \$3194.00                      G147 / G147 Push/Pull Dummy . . . . . \$3042.00                      Refer to spec page B71</p>
G145	G146	G147	G147			G145	G145	G147	G147			<p><b>D 3 1/2" x 33 7/8" Designer Escutcheon</b>                      G145 / G145 Push/Pull Double Cylinder                      Dead Bolt . . . . . \$3271.00                      G147 / G147 Push/Pull Dummy . . . . . \$3042.00                      Refer to spec page B71</p>

- Combinations below are shown with G070 10" Ellis Grip. Call RMH for pricing and compatibility of other grips.
- All finishes are priced the same.
- Specify metal, patina, backset, door thickness, and lock type.

	ACTIVE	DUMMY	ACTIVE	DUMMY	ESCUTCHEON OPTIONS
<b>A</b>		 G030 G030	<b>B</b>	 G033 G031	<p><b>A 3 1/2" x 20" Ellis Escutcheon</b>                      G030 Push Single . . . . . \$537.00                      G030 / G030 Push Double. . . . . \$1074.00                      Refer to spec page B73</p> <p><b>B 3 1/2" x 20" Ellis Escutcheon</b>                      G033 / G031 Push/Pull Dead Bolt . . \$1572.00                      G030 / G030 Push/Pull Dummy. . . \$1393.00                      Refer to spec page B73</p>
<b>C</b>	 G033 G031	 G030 G030	<b>D</b>	 G033 G033	<p><b>C 3 1/2" x 20" Ellis Escutcheon</b>                      G033 / G031 Push/Pull Dead Bolt . . \$1892.00                      G030 / G030 Push/Pull Dummy. . . \$1714.00                      Refer to spec page B73</p> <p><b>D 3 1/2" x 20" Ellis Escutcheon</b>                      G033 / G033 Push/Pull Double Cylinder                      Dead Bolt . . . . . \$1976.00                      G030 / G030 Push/Pull Dummy. . . \$1714.00                      Refer to spec page B73</p>

- Combinations below are shown with G21010 10" Mack Grip. Call RMH for pricing and compatibility of other grips.
- All finishes are priced the same.
- Specify metal, patina, backset, door thickness, and lock type.
- These escutcheons require a backset that is 2 1/2" or greater.

ACTIVE	DUMMY	ACTIVE	DUMMY	ESCUTCHEON OPTIONS
<b>A</b>	 G21030 G21030	<b>B</b>	 G21033 G21031 G21030 G21030	<b>A 3 3/4" x 20" Mack Escutcheon</b> G21030 Push Single . . . . . \$291.00 G21030/ G21030 Push Double . . . . . \$582.00 Refer to spec page B80  <b>B 3 3/4" x 20" Mack Escutcheon</b> G21033 / G21031 Push/Pull Dead Bolt . \$1054.00 G21030 / G21030 Push/Pull Dummy . . \$901.00 Refer to spec page B80
<b>C</b>	 G21033 G21031 G21030 G21030	<b>D</b>	 G21033 G21033 G21030 G21030	<b>C 3 3/4" x 20" Mack Escutcheon</b> G21033 / G21031 Push/Pull Dead Bolt . \$1374.00 G21030 / G21030 Push/Pull Dummy . . \$1222.00 Refer to spec page B80  <b>D 3 3/4" x 20" Mack Escutcheon</b> G21033 / G21033 Push/Pull Double Cylinder Dead Bolt . . . . . \$1451.00 G21030 / G21030 Push/Pull Dummy . . \$1222.00 Refer to spec page B80